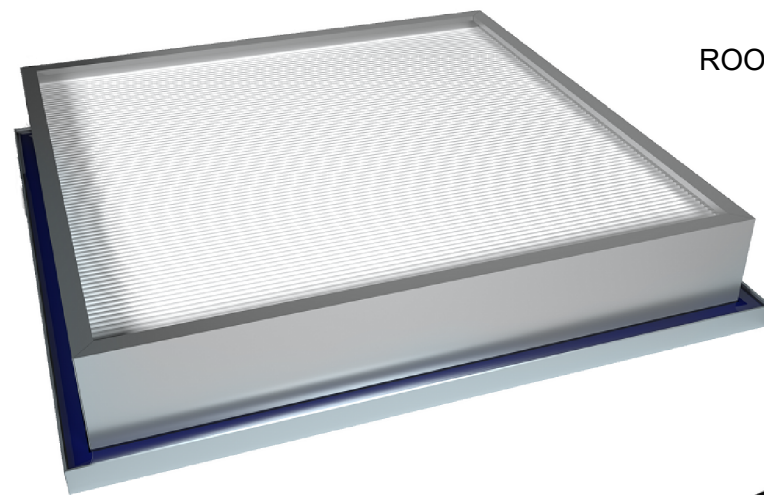


# VANGUARD - EN 1822

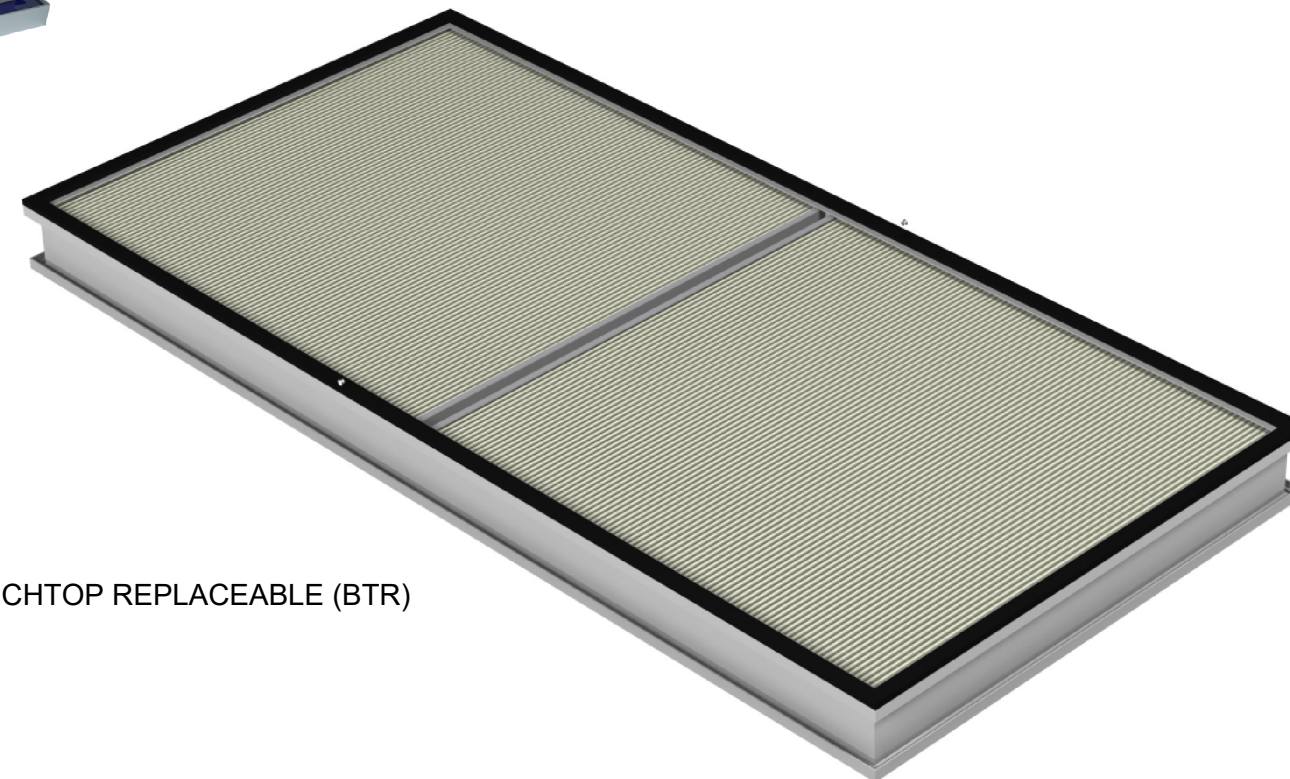
## REPLACEMENT FILTERS

### FEATURES

- HIGH EFFICIENCY REPLACEMENT FILTERS ARE SUITABLE FOR USE IN ALL CRITICAL ENVIRONMENTS FILTERED PRODUCTS
- AVAILABLE IN H14 EFFICIENCY
- FILTERS ARE USED WHERE ROOM CLEANLINESS AND PARTICULATE CONTROL ARE OF THE UTMOST IMPORTANCE INCLUDING CLEANROOMS, LABORATORIES AND PROTECTIVE ENVIRONMENT ISOLATION ROOMS.



ROOMSIDE REPLACEABLE (RSR)



BENCHTOP REPLACEABLE (BTR)



PROJECT:

279299

Revision: 0

11/6/2025

# VANGUARD - EN 1822

## REPLACEMENT FILTERS KROWN FAN FILTER SERIES, ASPIRE LAMINAR FLOW SERIES, ARC RADIAL FLOW SERIES CONSTRUCTION DETAILS

ROOMSIDE REPLACEABLE (RSR)						
MODULE SIZE	ACTUAL UNIT SIZE	FILTER TYPE	ACTUAL FILTER SIZE (A x B)	PART NUMBER	PACK DEPTH	
24 x 24	23.625 x 23.625	H14	20.69 x 20.69	042299-176	2.500	
24 x 36	23.625 x 35.625		20.69 x 32.69	042299-059	2.000	
24 x 48	23.625 x 47.625		20.69 x 44.69	042299-084		
12 x 48	11.625 x 47.625		8.69 x 44.69	042299-168		
600 x 600 mm	23.247 x 23.247		20.31 x 20.31	042299-169		
600 x 1200 mm	23.247 x 46.869		20.31 x 43.93	042299-170		
600 x 600 mm (EU)	23.425 x 23.425		20.49 x 20.49	042270-004		63.5mm
600 x 900 mm (EU)	23.425 x 35.236		20.49 x 32.30	042270-008		50mm
600 x 1200 mm (EU)	23.425 x 47.047		20.49 x 44.11	042270-009		

### KROWN RSR DIFFUSERS:

- 24 x 24 SIZED MODULES UTILIZE A 2.500" FILTER PACK
- 600 x 600 mm (EU) SIZED MODULES UTILIZE A 63.5mm FILTER PACK

### ASPIRE AND ARC DIFFUSERS:

- 24 x 24 SIZED MODULES UTILIZE A 2.000" FILTER PACK

BENCHTOP REPLACEABLE (BTR)				
MODULE SIZE	ACTUAL UNIT SIZE	FILTER TYPE	ACTUAL FILTER SIZE (A x B)	PART NUMBER
24 x 24	23.425 x 23.425	H14	23.43 x 23.43	042270-013
24 x 36	23.425 x 35.236		23.43 x 35.24	042270-014
24 x 48	23.425 x 47.047		23.43 x 47.05	042270-015

### CONSTRUCTION

- FILTER PLEATS RUN PARALLEL TO THE WIDTH (A) DIMENSION
- DIMENSIONS A & B TOLERANCES +/- 1/16"
- RSR FILTERS COME WITH GEL SEAL FILLED CHANNEL
- PROTECTIVE SCREEN PAINTED WHITE ON THE DOWNSTREAM SIDE
- BTR FILTERS COME WITH GASKETED UPSTREAM FLANGE AND CENTER MULLION WITH STATIC PRESSURE PORTS
- FRAME DETAILS
- MATERIAL ANODIZED EXTRUDED ALUMINUM
- THICKNESS 1/16" (MINIMUM)

### LISTING

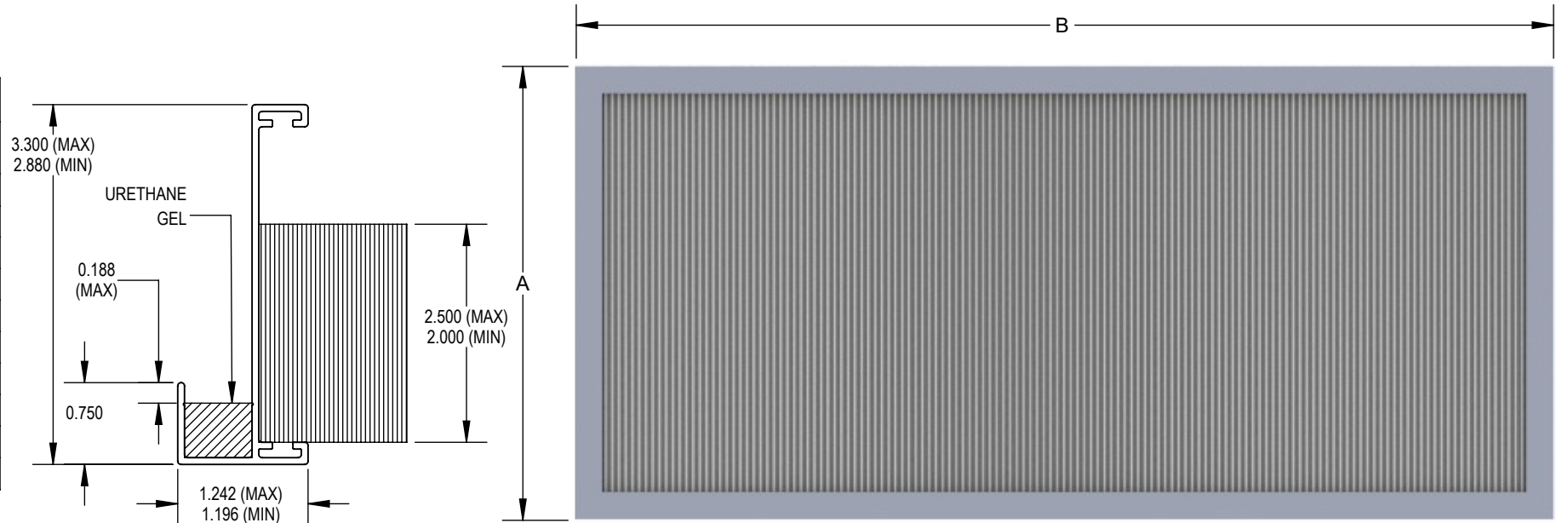
- UL900 STANDARD FOR SAFETY AIR FILTER UNITS

### TESTING

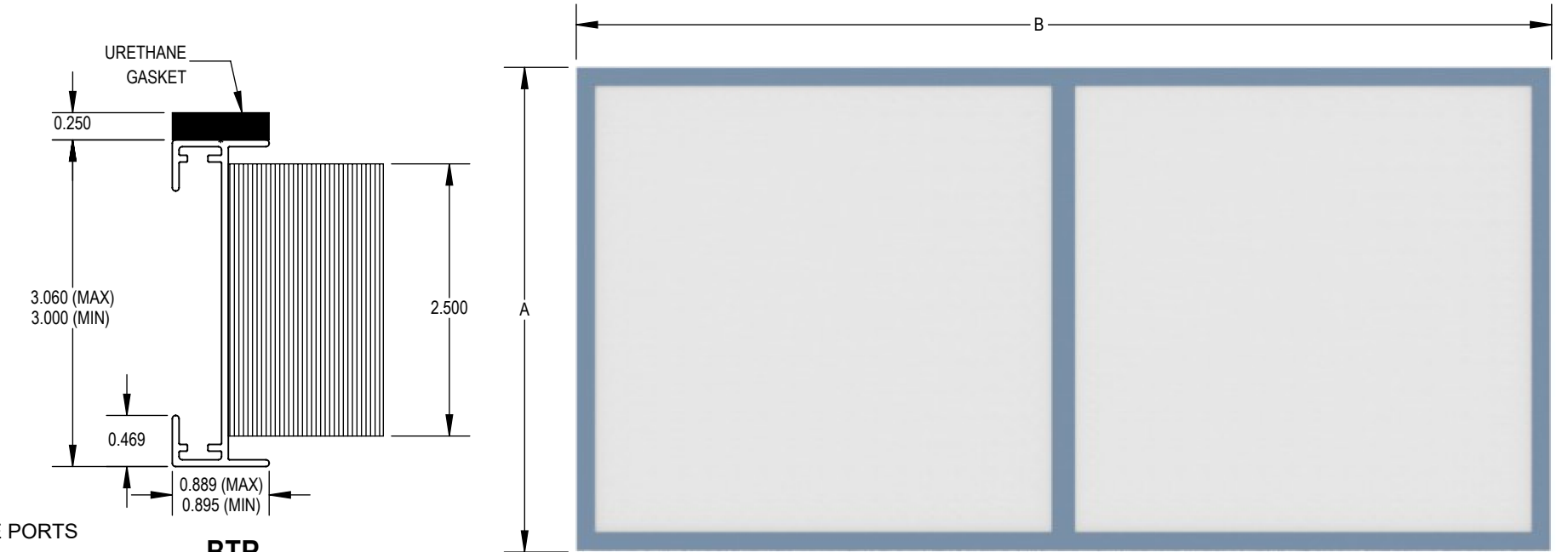
- H14 FILTERS EFFICIENCY AND LEAK TESTED IN ACCORDANCE WITH LATEST EN 1822

### NOTES

- FILTER PACKAGED SEPARATELY FROM DIFFUSER FOR JOB SITE INSTALLATION BY OTHERS
- DIMENSIONS ARE IN INCHES UNLESS OTHERWISE NOTED



RSR



BTR



PROJECT:

279299

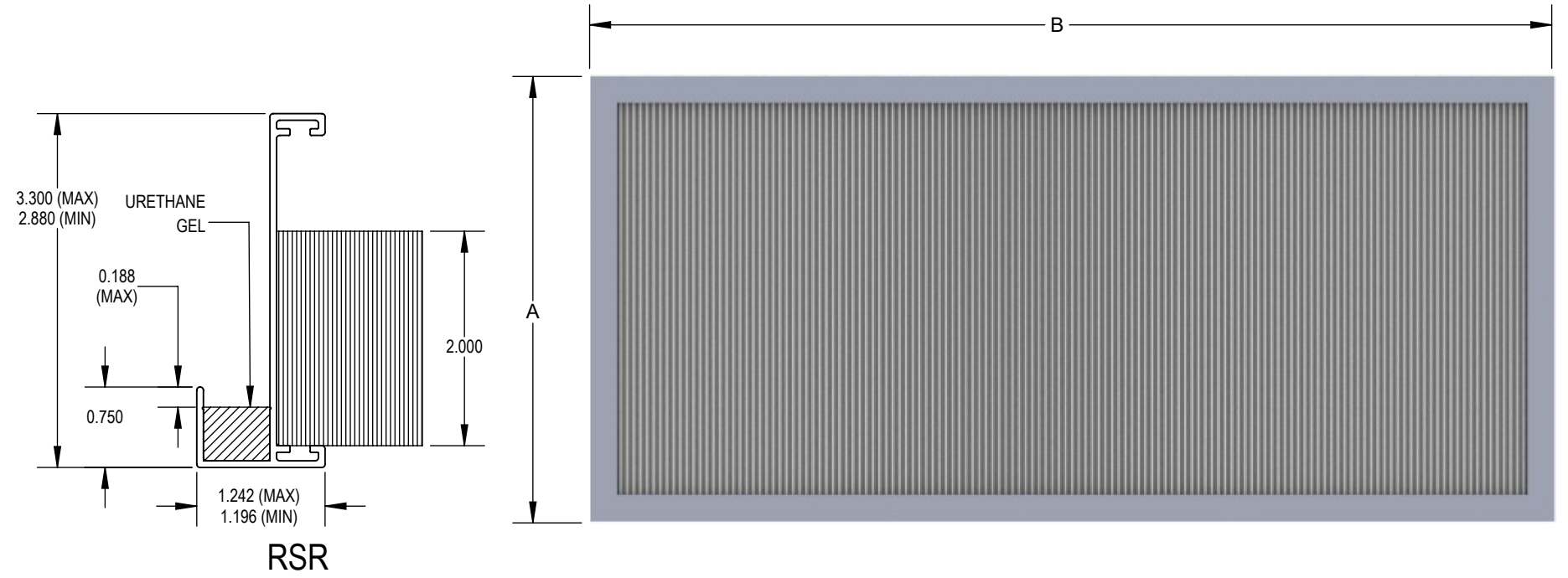
Revision: 0

11/7/2025

# VANGUARD - EN 1822

## REPLACEMENT FILTERS SUPERSUITE CONSTRUCTION DETAILS

ROOMSIDE REPLACEABLE (RSR)				
MODULE SIZE	ACTUAL UNIT SIZE	FILTER TYPE	ACTUAL FILTER SIZE (A x B)	PART NUMBER
24 x 24	24.250 x 24.250	H14	19.88 x 19.88	042299-171
24 x 36	24.250 x 36.375		19.88 x 32.01	042299-172
24 x 48	24.250 x 48.500		19.88 x 44.13	042299-173



### CONSTRUCTION

- FILTER PLEATS RUN PARALLEL TO THE WIDTH (A) DIMENSION
- DIMENSIONS A & B TOLERANCES +/- 1/16"
- FILTERS COME WITH GEL SEAL FILLED CHANNEL
- PROTECTIVE SCREEN PAINTED WHITE ON THE DOWNSTREAM SIDE
- FRAME DETAILS
  - MATERIAL ANODIZED EXTRUDED ALUMINUM
  - THICKNESS 1/16" (MINIMUM)

### LISTING

- **UL900** STANDARD FOR SAFETY AIR FILTER UNITS

### TESTING

- H14 FILTERS EFFICIENCY AND LEAK TESTED IN ACCORDANCE WITH LATEST EN 1822

### NOTES

- FILTER PACKAGED SEPARATELY FROM DIFFUSER FOR JOB SITE INSTALLATION BY OTHERS
- DIMENSIONS ARE IN INCHES UNLESS OTHERWISE NOTED



PROJECT:

279299

Revision: 0

11/7/2025

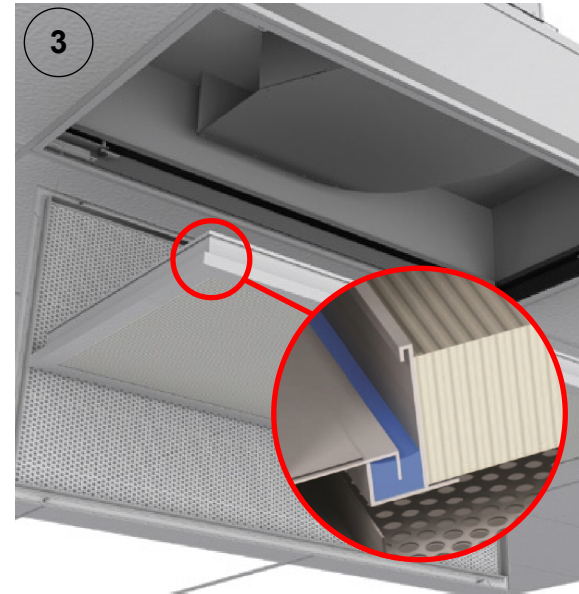
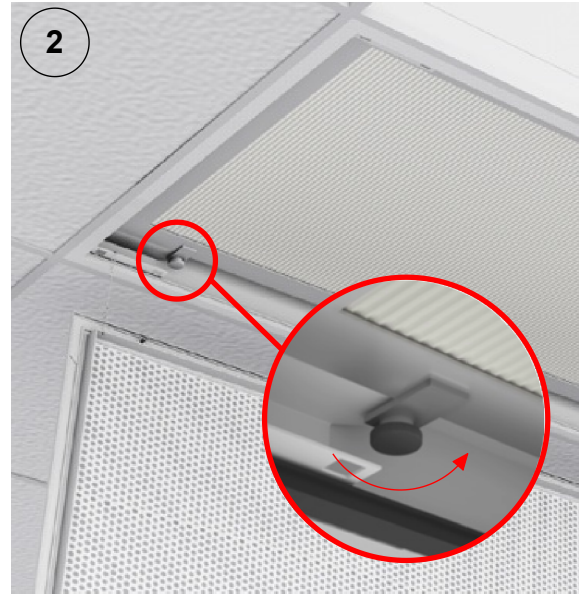
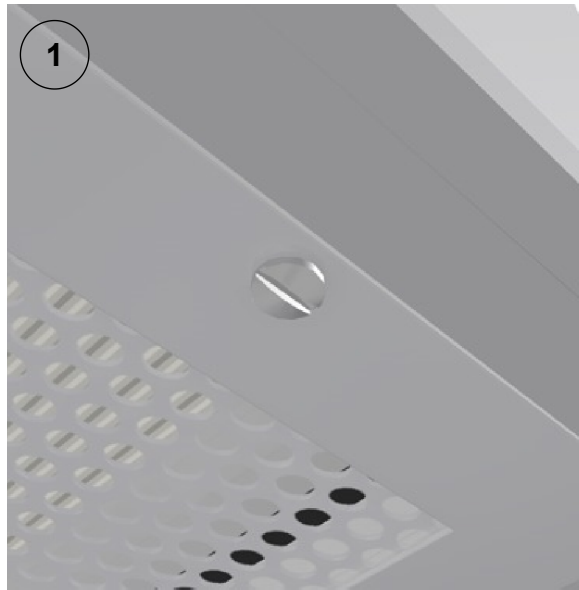
# VANGUARD - EN 1822

## REPLACEMENT FILTERS

### ROOM-SIDE REPLACEABLE FILTERS

- GEL-TRACK FROM FILTER WORKS WITH DIFFUSER KNIFE-EDGE TO PROVIDE A LEAK-PROOF SEAL BETWEEN THE FILTER AND HOUSING WHILE ALLOWING FOR TOOL FREE INSTALLATION AND REPLACEMENT FROM THE ROOM-SIDE

- VISIT KEYSTONE CLEAN AIR SOLUTIONS WEBSITE FOR FILTER INSTALLATION GUIDE



### ORDER OF OPERATIONS

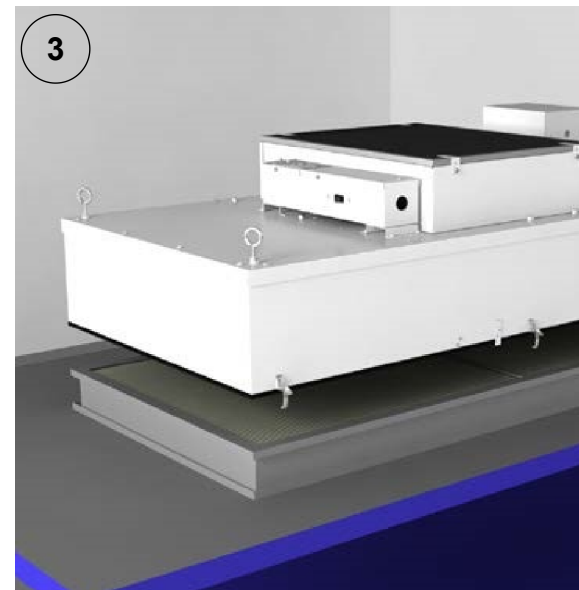
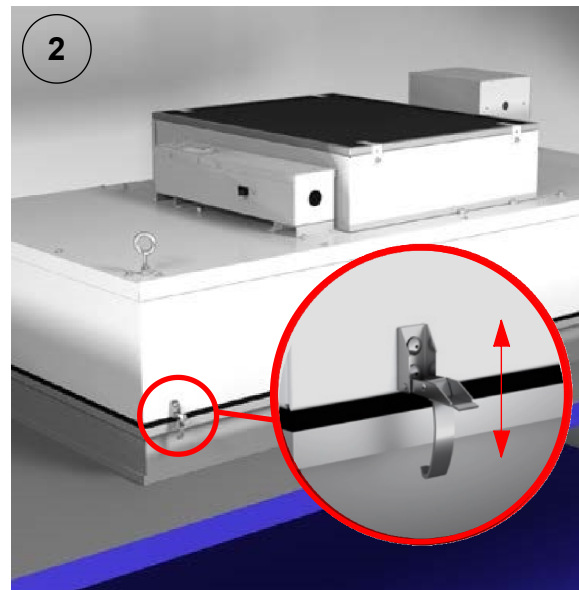
- 1) UNDO 1/4 TURN FASTENERS AND REMOVE DIFFUSER FACE
- 2) LOOSEN FILTER RETAINER TABS
- 3) REMOVE FILTER

### BENCHTOP REPLACEABLE FILTERS

- FILTER REPLACEMENT REQUIRES REMOVAL OF THE UNIT FROM THE CEILING GRID

- ONLY AVAILABLE ON SUPPLY STYLE FAN FILTER UNITS (FFU)

- VISIT KEYSTONE CLEAN AIR SOLUTIONS WEBSITE FOR FILTER INSTALLATION GUIDE



### ORDER OF OPERATIONS

- 1) REMOVE UNIT FROM CEILING
- 2) OPEN LATCHES
- 3) REMOVE FILTER



PROJECT:

279299

Revision: 0

11/6/2025