



SUPERSUITE

by **PRICE**

INSTALLATION + SERVICE MANUAL

Product Overview

Details	1
---------------	---

Installation Instructions

Pre-Installation Instructions and Checklist.....	2
Remote Driver Cabinet Mounting and Installation.....	3
SRDC-B-YY (Surface Wall Mount Only)	4
SRDC-CD-YY0 (Recessed Type IC).....	6
SRDC-CD-0XY (Surface and Ceiling Mount Only)....	8
Electrical Connections.....	10
Wiring for SRDC-B-YY	11
Wiring for SRDC-CD-YY0	12
Wiring for SRDC-CD-0XY	13

Wiring Diagrams

Driver Cabinet Wiring Diagrams.....	14
SRDC-B-01	14
SRDC-B-02	15
SRDC-B-03	16
SRDC-B-04	17
SRDC-B-05	18
SRDC-B-06	19
SRDC-CD-YY0 (Without Relay Switch)	20
SRDC-CD-YY0 (With Relay Switch)	21
SRDC-CD-0XY (Without Relay Switch)	22
SRDC-CD-0XY (With Relay Switch)	23
SRDC-CD-00Y (D Driver Only).....	24

Details

SRDC is a power supply enclosure that houses LED drivers to power the LEDs installed in the air-handling luminaire modules (Supersuite by Price Array, Aspire Laminar Flow Diffuser and Krown Fan Filter Units) with a remote driver cabinet option.

The remote LED driver cabinets come with pre-wired driver connections. The quantity of the drivers varies with the size of the luminaire system. Below shows the two types of driver cabinet options available.

The driver cabinet is identified with either a model code:

- SRDC-B-YY, where B is the type of driver(s) in the cabinet and YY is the quantity of driver(s) in the cabinet, or;
- SRDC-CD-XXY, where CD is the type of the driver(s) in the cabinet, XX and Y is the quantity of driver type C and D, respectively in the cabinet.

Examples of cabinets with model codes SRDC-B-06, SRDC-CD-060 and SRDC-CD-021 are shown.

NOTE: Enclosure cover is not shown.

NOTE: SRDC-B-YY comes in standard cabinet size that can mount up to six type B LED drivers.

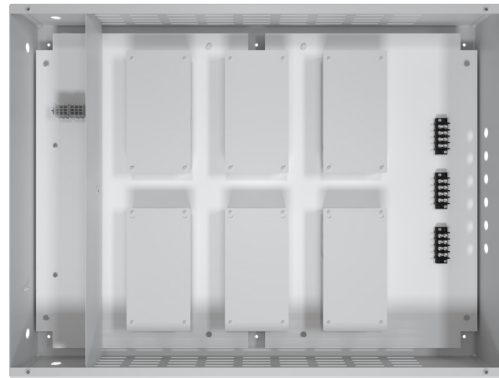
NOTE: SRDC-CD-YY0 comes in six different sizes housing up to 12 type C LED drivers.

NOTE: SRDC-CD-0XY comes in four different sizes mounting up to a maximum of four type C LED drivers and a maximum of two type D LED drivers.

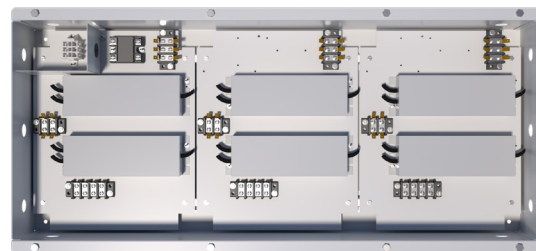
NOTE: The identification labels for SRDC-B-06, SRDC-CD-120 and SRDC-CD-041 are shown.

NOTE: The driver cabinet wattage depends on the driver type and quantity of drivers in the cabinet.

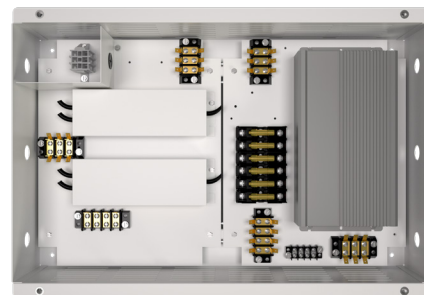
Enclosure Model Code SRDC-B-06



Enclosure Model Code SRDC-CD-060



Enclosure Model Code SRDC-CD-060



SRDC-B-06

KEYSTONE Clean Air Solutions			270895-002
MODEL SRDC-B-06	SERIAL 1234567-000-000		
VOLTS 120-277	HERTZ 50-60	WATTS 576	
WALL MOUNT ONLY/INSTALLATION MURALE SEULEMENT			
SUITABLE FOR DAMP LOCATIONS/CONVIENT AUX EMPLACEMENTS HUMIDES			
ASSEMBLE PART SRDC ONLY WITH SSA, ULFD-R OR KROWN-L-R/ ASSEMBLER LA PIÈCE SRDC SEULEMENT AVEC LA PIÈCE SSA, ULFD-R OU KROWN-L-R			
THIS PRODUCT MUST BE INSTALLED IN ACCORDANCE WITH THE APPLICABLE INSTALLATION CODE BY A PERSON FAMILIAR WITH THE CONSTRUCTION AND OPERATION OF THE PRODUCT AND THE HAZARDS INVOLVED/CE PRODUIT DOIT ÊTRE INSTALLÉ SELON LE CODE D'INSTALLATION PERTINENT, PAR UNE PERSONNE QUI CONNAÎT BIEN LE PRODUIT ET SON FONCTIONNEMENT AINSI QUE LES RISQUES INHÉRENTS			

SRDC-CD-120

KEYSTONE Clean Air Solutions			270895-002
MODEL SRDC-CD-120	SERIAL 1234567-000-000		
VOLTS 120-277	HERTZ 50-60	WATTS 1152	
TYPE IC / TYPE IC		INHERENTLY PROTECTED/ PROTECTION INHÉRENTE	
SUITABLE FOR DAMP LOCATIONS/CONVIENT AUX EMPLACEMENTS HUMIDES			
ASSEMBLE PART SRDC ONLY WITH SSA, ULFD-R OR KROWN-L-R/ ASSEMBLER LA PIÈCE SRDC SEULEMENT AVEC LA PIÈCE SSA, ULFD-R OU KROWN-L-R			
THIS PRODUCT MUST BE INSTALLED IN ACCORDANCE WITH THE APPLICABLE INSTALLATION CODE BY A PERSON FAMILIAR WITH THE CONSTRUCTION AND OPERATION OF THE PRODUCT AND THE HAZARDS INVOLVED/CE PRODUIT DOIT ÊTRE INSTALLÉ SELON LE CODE D'INSTALLATION PERTINENT, PAR UNE PERSONNE QUI CONNAÎT BIEN LE PRODUIT ET SON FONCTIONNEMENT AINSI QUE LES RISQUES INHÉRENTS			

SRDC-CD-041

KEYSTONE Clean Air Solutions			270493-001
MODEL SRDC-CD-041	SERIAL 1234567-000-000		
VOLTS 120-277	HERTZ 50-60	WATTS 984	
WALL OR CEILING MOUNT ONLY INSTALLATION MURALE OU PLAFOND SEULEMENT			
SUITABLE FOR DAMP LOCATIONS/ CONVIENT AUX EMPLACEMENTS HUMIDES			
ASSEMBLE PART SRDC ONLY WITH SSA, ULFD-R OR KROWN-L-R/ ASSEMBLER LA PIÈCE SRDC SEULEMENT AVEC LA PIÈCE SSA, ULFD-R OU KROWN-L-R			
THIS PRODUCT MUST BE INSTALLED IN ACCORDANCE WITH THE APPLICABLE INSTALLATION CODE BY A PERSON FAMILIAR WITH THE CONSTRUCTION AND OPERATION OF THE PRODUCT AND THE HAZARDS INVOLVED/CE PRODUIT DOIT ÊTRE INSTALLÉ SELON LE CODE D'INSTALLATION PERTINENT, PAR UNE PERSONNE QUI CONNAÎT BIEN LE PRODUIT ET SON FONCTIONNEMENT AINSI QUE LES RISQUES INHÉRENTS			

Read and Save These Instruction

Warning

- To reduce the risk of fire, electrical shock, or injury to persons, observe the following:
 - Installation work and electrical wiring must be done by a qualified person(s) in accordance with all applicable codes and standards, including fire-rated construction.

Before you start

- Inspect all cartons and boxes for flaws and shipping damage.
 - If anything is found to be damaged, contact the shipping company and file a freight claim.
- Review job specific submittal drawing for quantity and sizes of the driver cabinets.

Required Tools/Parts

- To be supplied by contractor:
 - (2+) 8 ft. ladders or scaffolding
 - Cordless drill/impact
 - Field connection wires
 - Damp cloth(s) (for cleaning)
 - Utility knife
 - Chalk line
 - Pliers with wire cutter
 - Tape measure
 - Clamps/locking plier
- Supplied by Keystone:
 - Job specific submittal drawing showing all sizes and dimensions of module assembly sections
 - Luminaire module sub-assembly sections (refer to job submittal drawing for quantity and sizes)
 - Dimmer switches (refer to job specific submittal drawing for quantity and field wiring connections)

WARNING!

SHOCK HAZARD! MAY RESULT IN SERIOUS INJURY OR DEATH.

TURN OFF POWER AT CIRCUIT BREAKER BEFORE WORKING ON THE UNIT.

- Installation work and electrical wiring must be done by qualified person(s) in accordance with all applicable codes and standards.
- When cutting or drilling into wall or ceiling do not damage electrical wiring and other hidden utilities.

Remote Driver Cabinet Mounting and Installation

Step 1: Install Supersuite by Price (SSA) modules in the ceiling, refer to the [Supersuite by Price installation manual](#) for instructions.

Step 2: Unpack module assembly sections and lay them out on the floor as per the job specific submittal package and determine remote driver cabinet mounting location. Ensure adequate wire length is available to wire to the remote driver cabinet.

NOTE: Refer to the wiring diagrams in this manual or the job specific submittal, for the recommended wire gage and length for the required field wiring.

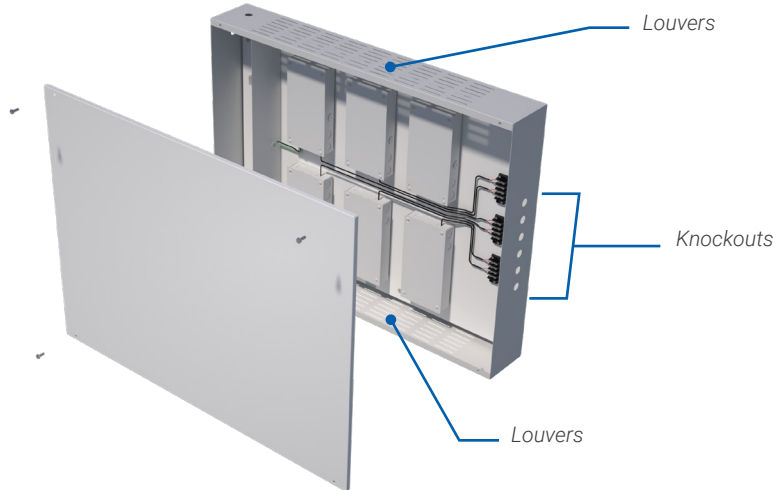
SRDC-B-YY (Surface Wall Mount Only)

NOTE: Suitable for surface wall mount only.

NOTE: SRDC-B-YY is provided with ½-inch trade size knockouts for field wiring.

Step 1: Open the cabinet cover by removing the four ¼-20 x ½ in. hex head bolts.

SRDC-B-06 Mounting Orientation

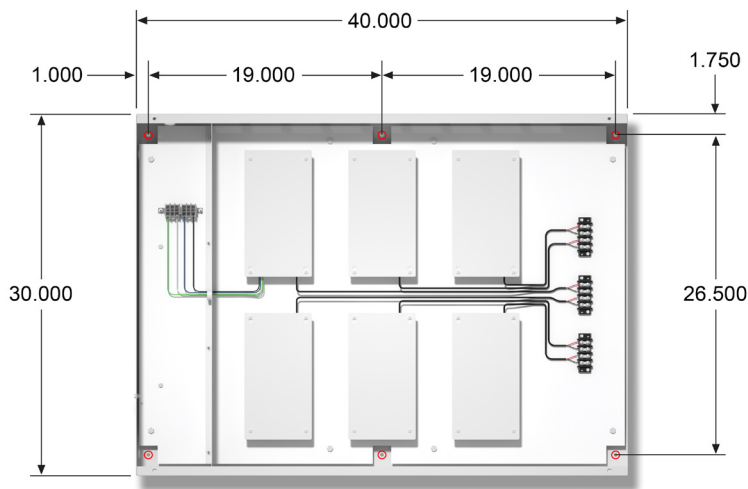


Step 2: Mount remote driver cabinet(s) to the wall, at the predetermined location, using the six mounting holes in the bottom of the remote driver cabinet. Remote driver cabinet weighs approximately 75lbs, ensure adequate mounting techniques/methods are used. This product must be installed in accordance with applicable installation codes as required.

NOTE: Remote driver cabinet must be surface mounted on the wall with the louvers facing sideways.

NOTE: Louvers or slots in remote driver cabinet must be kept clear to ensure proper airflow through the cabinet. Failure to do so may shorten the life expectancy of the remote drivers.

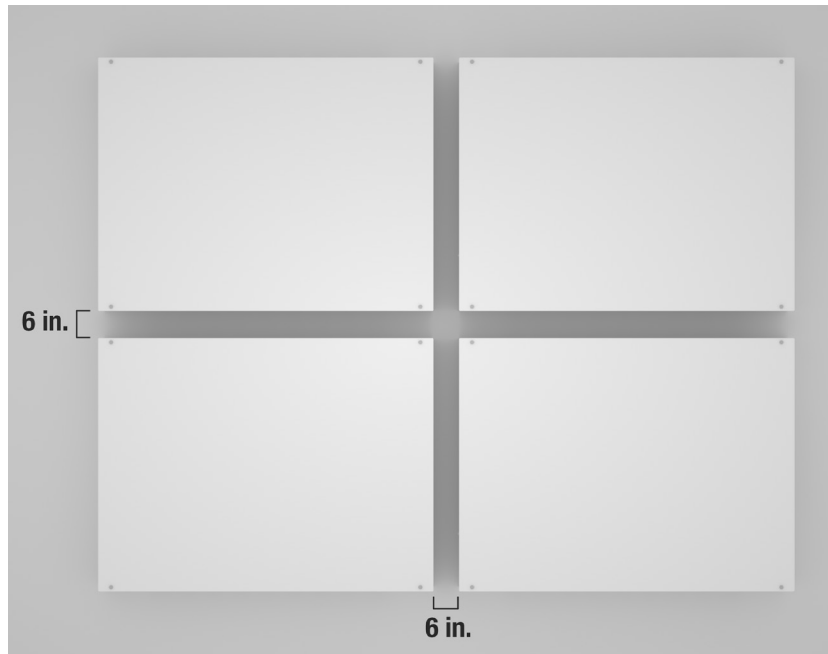
Mounting Hole Locations FOR SRDC-B-YY (Dimensions in Inches)



Step 3: Repeat above steps until all remote driver cabinets have been installed.

NOTE: Remote driver cabinets must have a minimum of 6 in. clearance on all sides.

Multiple remote driver cabinets installed



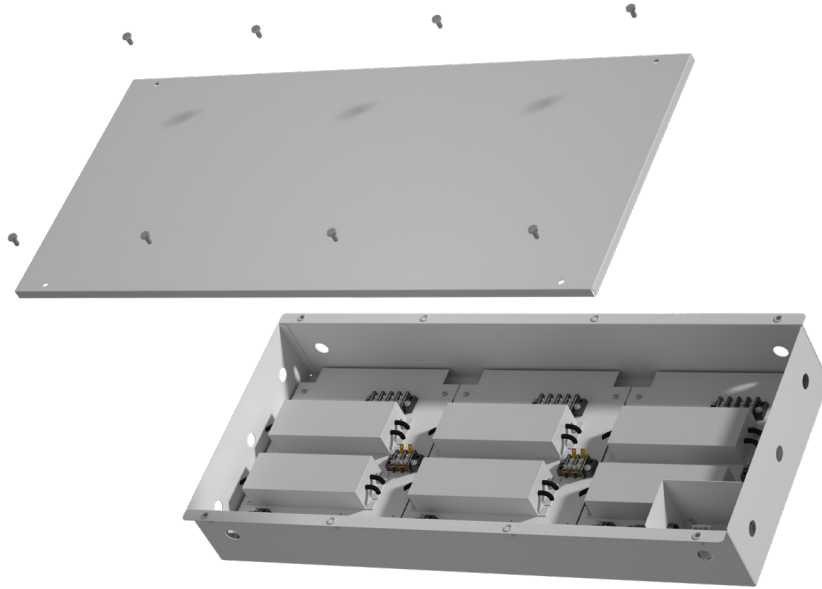
Step 4: Refer to page 10 for the electrical connections for the SRDC-B-YY Refer to the wiring diagrams on pages 14-19 for the recommended wire gage and length for the low voltage field wiring.

SRDC-CD-YY0 (Recessed Type IC)

NOTE: Suitable for both recessed and surface wall/ceiling mount.

Step 1: Open the cover for the SRDC-CD-YY0 by removing the ¼-20 x ½ in. hex head bolts.

Internal View of SRDC-CD-YY0

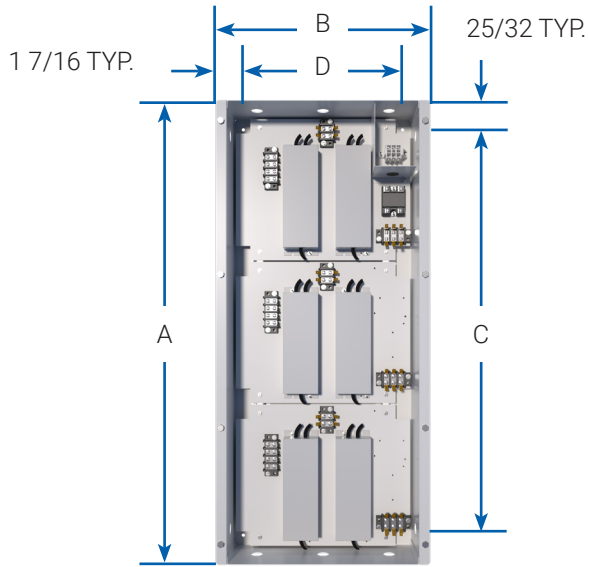


Step 2: Mount the cabinet at the predetermined location using the mounting holes provided.

NOTE: Refer to page 7 for the location of the mounting holes. Four mounting holes are provided for a 1 to 6-driver cabinet, and six mounting holes are provided for the 7 to 12-driver cabinet. Remote driver cabinet weighs 20-90lbs depending on the size of the cabinet.

NOTE: Ensure adequate mounting techniques/methods are used. This product must be installed in accordance with the applicable installation codes as required.

SRDC-CD-060 Mounting Hole Locations



SRDC-CD-100 Mounting Hole Locations

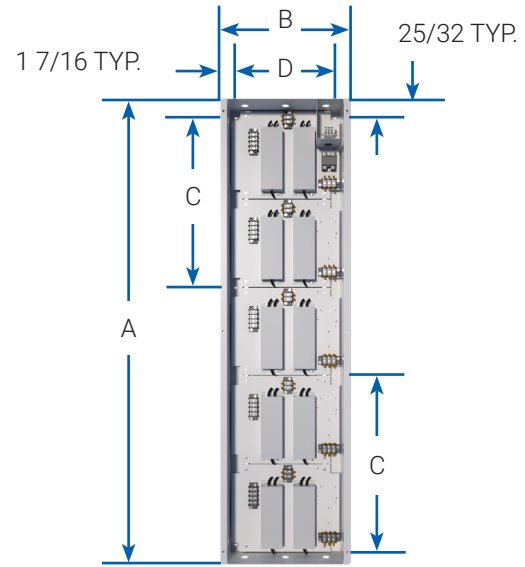


Table 1 shows the overall dimensions of the cabinet as well as the mounting hole locations.

Table 1

Cabinet Model Code	Dimensions (Inches)			
	A	B	C	D
SRDC-CD-020	11 7/16	15 1/2	9 27/32	12 19/32
SRDC-CD-040	22 9/16	15 1/2	20	12 19/32
SRDC-CD-060	33 11/16	15 1/2	32 3/32	12 19/32
SRDC-CD-080	44 13/16	15 1/2	21 19/32	12 19/32
SRDC-CD-100	55 15/16	15 1/2	21 19/32	12 19/32
SRDC-CD-120	67 1/16	15 1/2	32 23/32	12 19/32

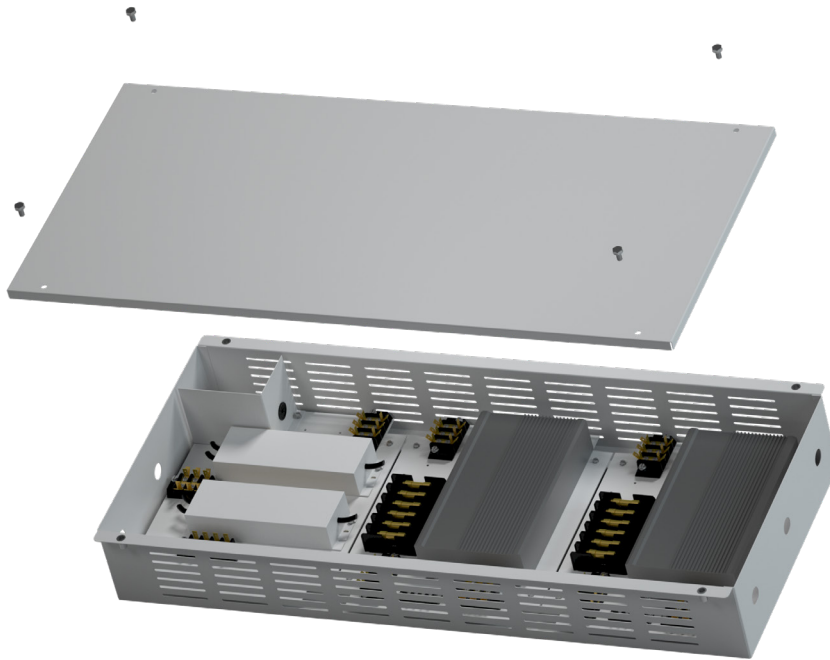
Step 3: Refer to page 12 for the electrical connections for SRDC-CD-YY0. Refer to the wiring diagrams on pages 20 and 21 for the recommended wire gage and length for the low voltage field wiring.

SRDC-CD-0XY (Surface Wall and Ceiling Mount Only)

NOTE: Suitable for surface wall or ceiling mount only.

Step 1: Open the cover for the SRDC-CD-0XY by removing the ¼-20 x ½ in. hex head bolts.

Internal view of SRDC-CD-0XY



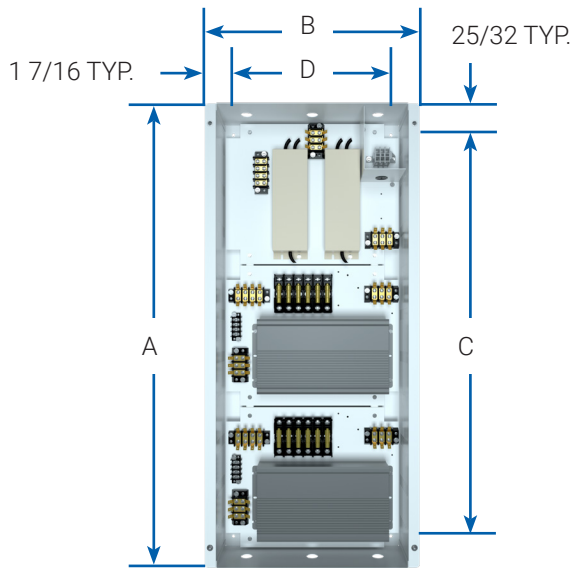
Step 2: Mount the cabinet at the predetermined location using the mounting holes provided.

NOTE: Refer to page 9 for the location of the mounting holes. Four mounting holes are provided for a 1-panel to 3-panel cabinet, and six mounting holes are provided for the 4-panel cabinet. Remote driver cabinet weighs 20-70lbs depending on the size of the cabinet.

NOTE: Remote driver cabinet that are surface mounted on the wall must have louvers facing sideways.

NOTE: Louvers or slots in remote driver cabinet must be kept clear to ensure proper airflow through the cabinet. Failure to do so may shorten the life expectancy of the remote drivers.

SRDC-CD-022 Mounting Hole Locations



SRDC-CD-042 Mounting Hole Locations

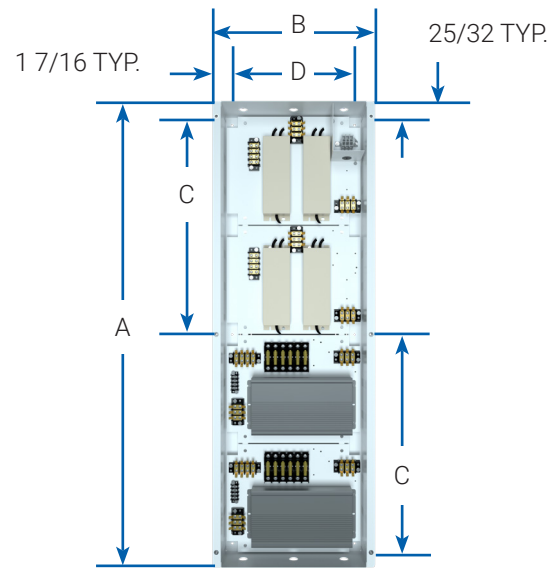


Table 1 shows the overall dimensions of the cabinet as well as the mounting hole locations.

Table 1

Cabinet Model Code	Dimensions (Inches)			
	A	B	C	D
SRDC-CD-001	11 7/16	15 1/2	9 27/32	12 19/32
SRDC-CD-002	22 9/16	15 1/2	20	12 19/32
SRDC-CD-021	22 9/16	15 1/2	20	12 19/32
SRDC-CD-022	33 11/16	15 1/2	32 3/32	12 19/32
SRDC-CD-041	33 11/16	15 1/2	32 3/32	12 19/32
SRDC-CD-042	44 13/16	15 1/2	21 19/32	12 19/32

Step 3: Refer to page 13 for the electrical connections for SRDC-CD-0XY. Refer to the wiring diagrams on pages 22-24 for the recommended wire gage and length for the low voltage field wiring.

WARNING!

SHOCK HAZARD! MAY RESULT IN SERIOUS INJURY OR DEATH.

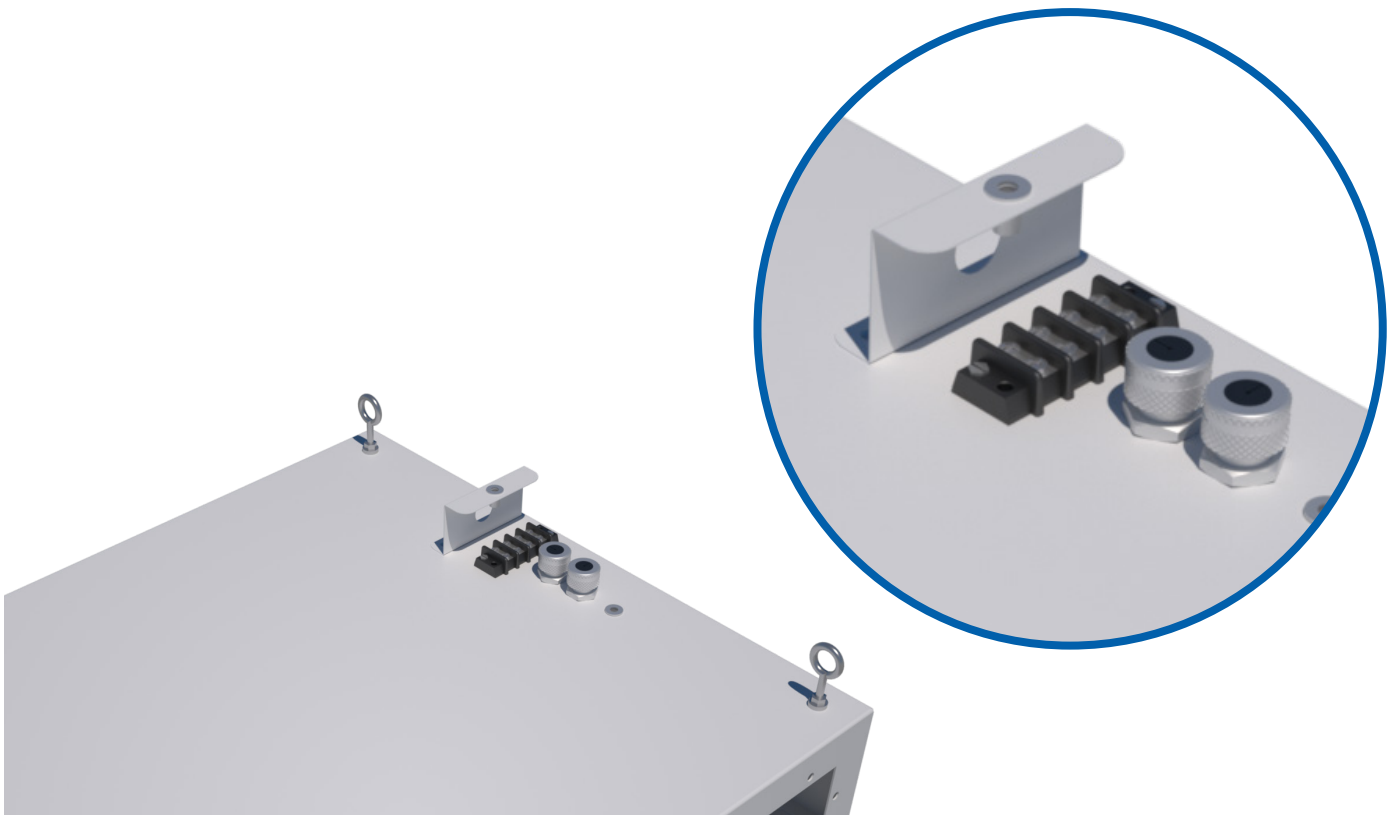
TURN OFF POWER AT CIRCUIT BREAKER BEFORE WORKING ON THE UNIT.

- Installation work and electrical wiring must be done by qualified person(s) in accordance with all applicable codes and standards.
- When cutting or drilling into wall or ceiling do not damage electrical wiring and other hidden utilities.

Electrical Connections

NOTE: The luminaire is provided with a terminal block connection point for the field wiring to driver cabinets. Low voltage connection points on the luminaire are shown.

Terminal Block Connection



Wiring for SRDC-B-YY

This section outlines the steps for connecting the luminaire to the SRDC-B-YY.

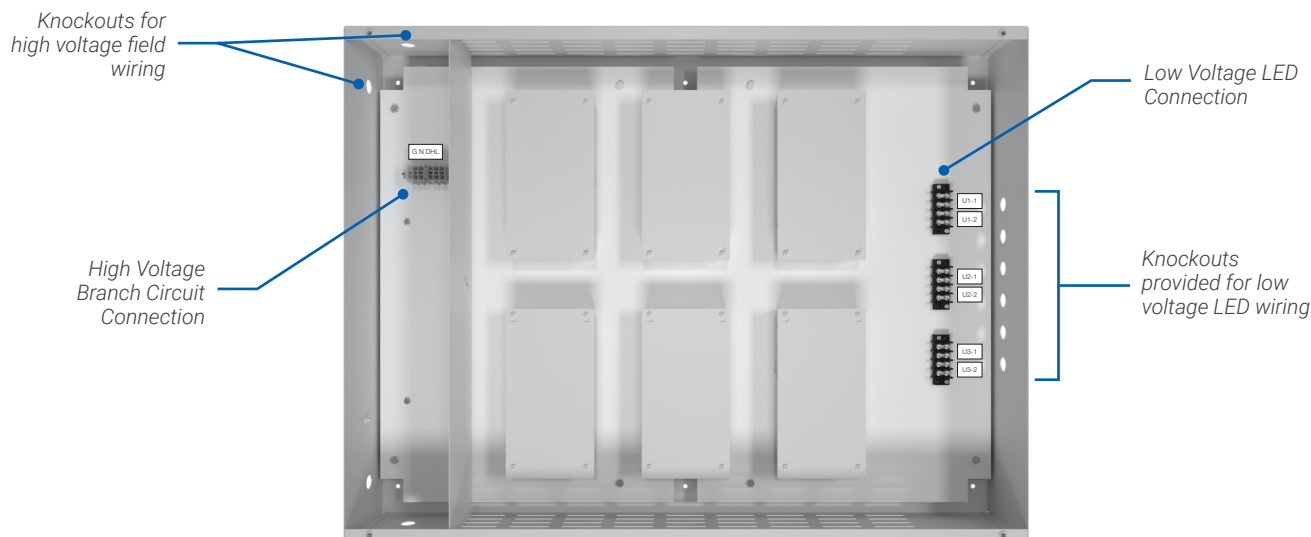
NOTE: The wire connection points on the luminaire modules and driver cabinet is provided with identification labels for wiring purposes.

Step 1: Identify the wiring identification labels on the luminaire modules and the driver cabinet.

Step 2: Use the wiring diagram or job specific submittal to determine the required wire gage for the wire connecting the luminaire module to the driver cabinet.

NOTE: Using a wire length longer than recommended may cause a voltage drop, thus affecting the LED output.

Wiring Identification Label - SRDC-B-YY



Step 3: Connect the wire between the connection point on the luminaire module and the corresponding connection point on the driver cabinet.

NOTE: It is recommended to label the wire at both ends for troubleshooting purposes.

Step 4: Wire the high voltage side of the driver cabinet according to the wiring diagrams shown on pages 14-19 of this manual.

NOTE: Wiring should be carried out by a certified electrician in accordance to meet all applicable codes and standards.

Wiring for SRDC-CD-YY0

This section outlines the steps for connecting the luminaire to the SRDC-CD-YY0.

NOTE: The wire connection points on the luminaire modules and driver cabinet is provided with identification labels for wiring purposes.

Step 1: Identify the wiring identification labels on the luminaire modules and the driver cabinet.

Step 2: Use the wiring diagram/submittal to determine the required wire gage for the wire connecting the luminaire module to the driver cabinet.

NOTE: Using a wire length longer than recommended may cause a voltage drop, thus affecting the LED output.

Step 3: Connect the wire between the connection point on the luminaire module and the corresponding connection point on the driver cabinet.

NOTE: It is recommended to label the wire at both ends for troubleshooting purposes.

Step 4: Connect the 0-10V signal wires (from dimmer switch or any other 0-10V supply source) to the driver cabinet as shown in the wiring diagrams.

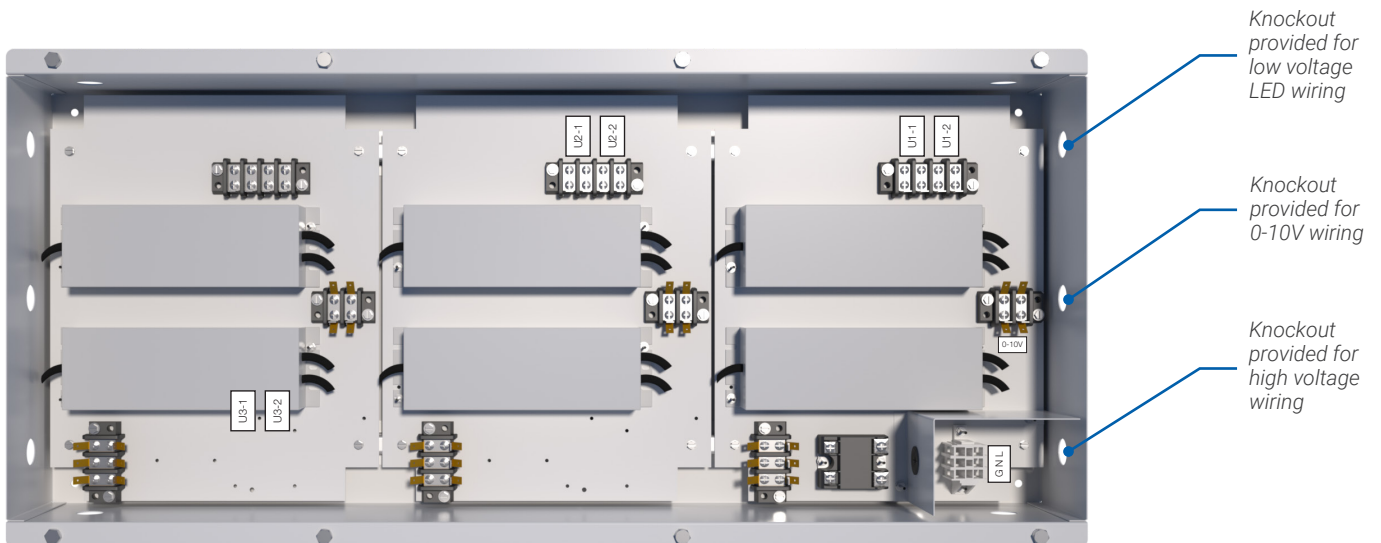
NOTE: 0-10V control signal wiring should not exceed 500ft. Do not use wire smaller than 20AWG.

NOTE: WHEN LIMITED ENERGY CABLE IS USED FOR THE DC OUTPUTS AND DIMMING INPUT, IT SHALL BE RELIABLY ROUTED AWAY FROM ANY NON-CLASS 2 FACTORY INSTALLED WIRING BY AT LEAST ¼" BY THE USE OF TIE-WRAPS, CABLE CLAMPS OR SIMILAR MEANS.

Step 5: Wire the high voltage side of the driver cabinet according to the wiring diagrams shown on pages 20 and 21 of this manual.

NOTE: Wiring should be carried out by a certified electrician in accordance to meet all applicable codes and standards.

Wiring Identification Label - SRDC-CD-060



Wiring for SRDC-CD-0XY

This section outlines the steps for connecting the luminaire to the SRDC-CD-0XY.

NOTE: The wire connection points on the luminaire modules and driver cabinet is provided with identification labels for wiring purposes.

Step 1: Identify the wiring identification labels on the luminaire modules and the driver cabinet.

Step 2: Use the wiring diagram/submittal to determine the required wire gage for the wire connecting the luminaire module to the driver cabinet.

NOTE: Using a wire length longer than recommended may cause a voltage drop, thus affecting the LED output.

Step 3: Connect the wire between the connection point on the luminaire module and the corresponding connection point on the driver cabinet.

NOTE: It is recommended to label the wire at both ends for troubleshooting purposes.

Step 4: Connect the 0-10V signal wires (from dimmer switch or any other 0-10V supply source) to the driver cabinet as shown in the wiring diagrams.

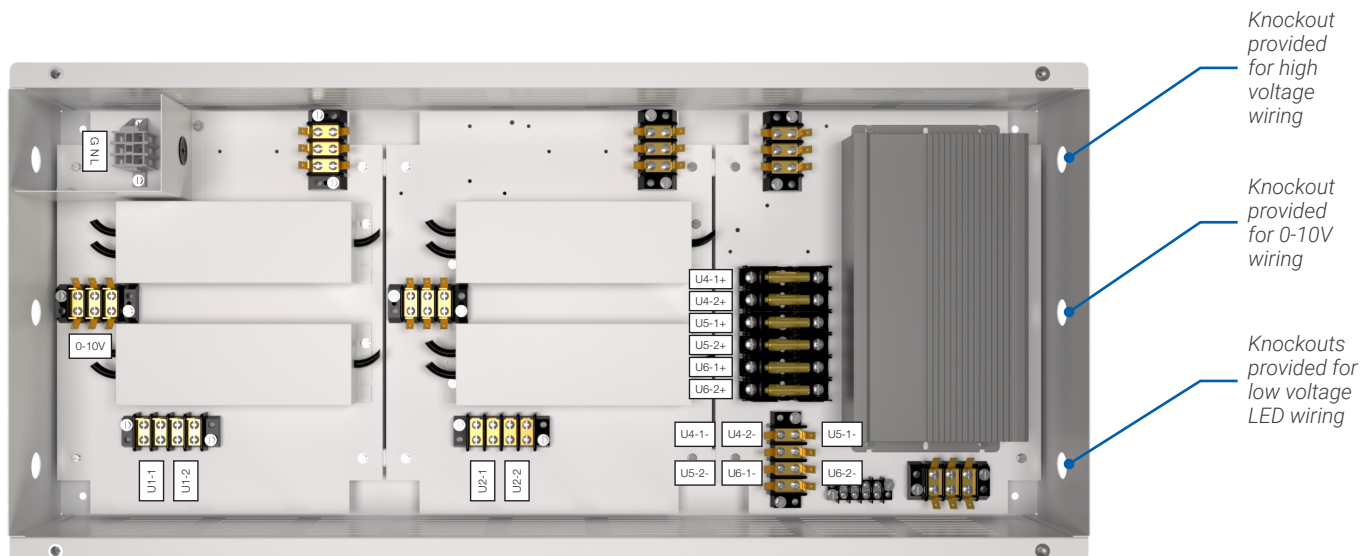
NOTE: 0-10V control signal wiring should not exceed 500ft. Do not use wire smaller than 20AWG.

NOTE: WHEN LIMITED ENERGY CABLE IS USED FOR THE DC OUTPUTS AND DIMMING INPUT, IT SHALL BE RELIABLY ROUTED AWAY FROM ANY NON-CLASS 2 FACTORY INSTALLED WIRING BY AT LEAST ¼" BY THE USE OF TIE-WRAPS, CABLE CLAMPS OR SIMILAR MEANS.

Step 5: Wire the high voltage side of the driver cabinet according to the wiring diagrams shown on pages 22-24 of this manual.

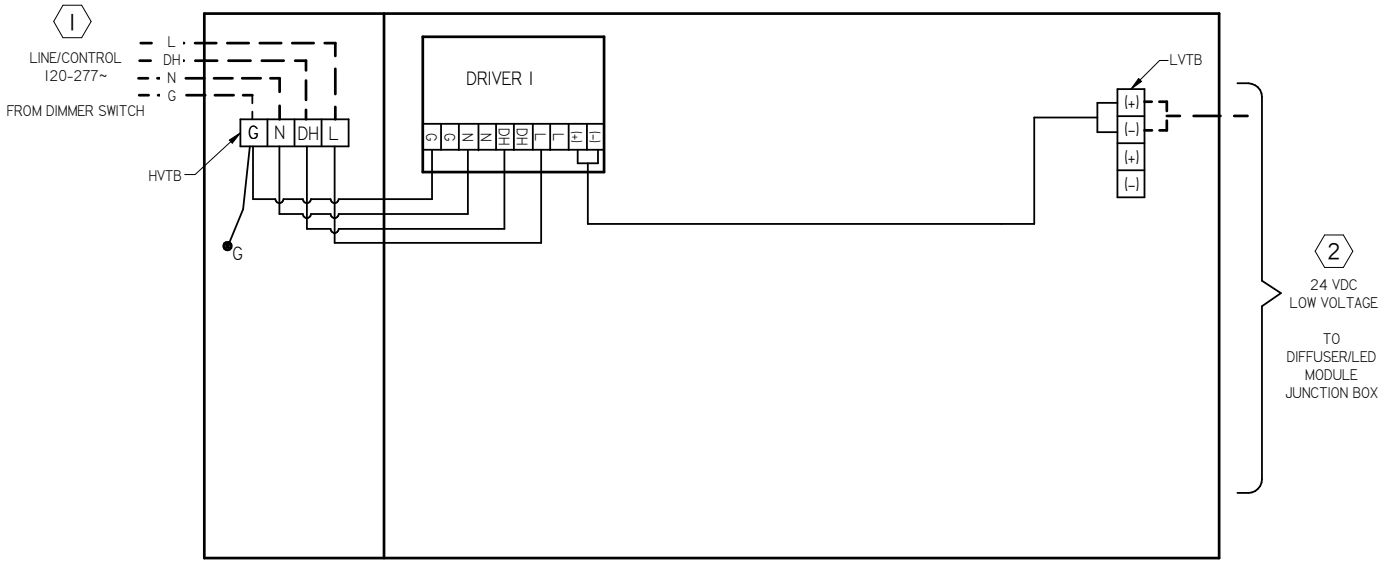
NOTE: Wiring should be carried out by a certified electrician in accordance to meet all applicable codes and standards.

Wiring Identification Label - SRDC-CD-041



Driver Cabinet Wiring Diagrams

Wiring Diagram for SRDC-B-01



LEGEND

- G - GROUND
- N - NEUTRAL
- DH - DIMMED HOT
- L - SWITCHED HOT
- (+) - LED +
- (-) - LED -
- HVTB - HIGH VOLT TERMINAL BLOCK
- LVTB - LOW VOLT TERMINAL BLOCK

WIRING NOTES

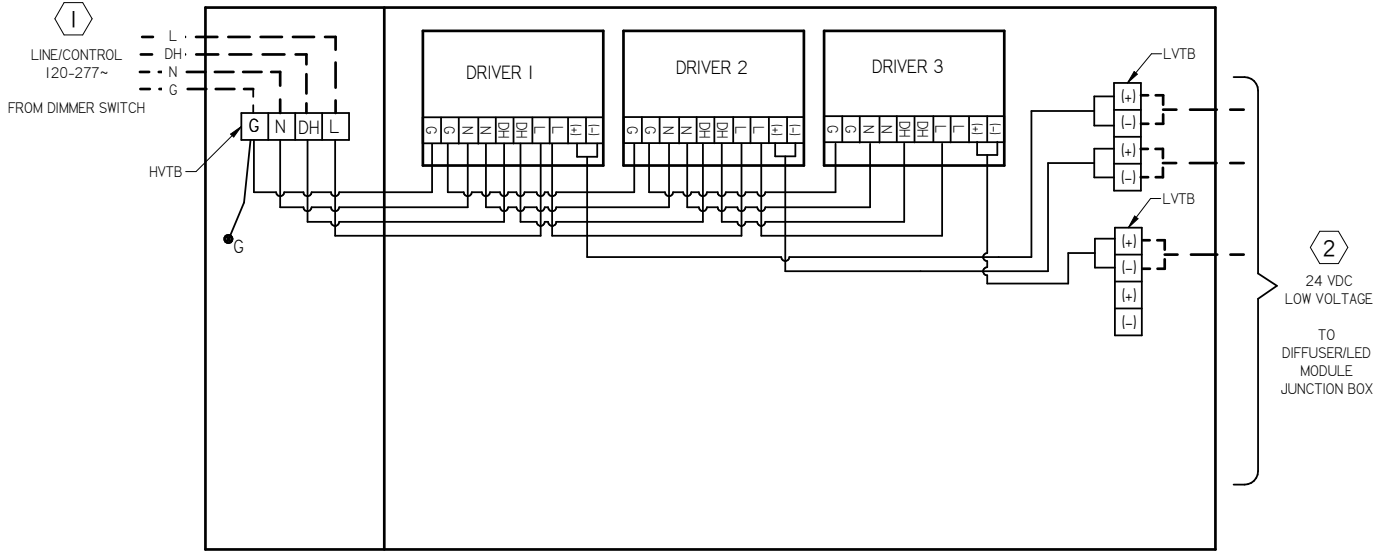
1. USE COPPER 75 C MIN. RATED WIRE FOR FIELD CONNECTION SUPPLY.
 2. USE COPPER 80 C MIN. RATED PLENUM RATED WIRE FOR LOW VOLTAGE FIELD CONNECTION.
- (SEE TABLE BELOW FOR RECOMMENDED WIRE GAGE AND LENGTHS)

WIRE GAGE	LENGTH (FT)
18 AWG	15 FT
16 AWG	25 FT
14 AWG	45 FT
12 AWG	70 FT
10 AWG	115 FT
8 AWG	180 FT

LINE LEGEND

- FACTORY ELECTRICAL WIRING
- - - - - FIELD ELECTRICAL WIRING

Wiring Diagram for SRDC-B-03



LEGEND

- G - GROUND
- N - NEUTRAL
- DH - DIMMED HOT
- L - SWITCHED HOT
- (+) - LED +
- (-) - LED -
- HVTB - HIGH VOLT TERMINAL BLOCK
- LVTB - LOW VOLT TERMINAL BLOCK

WIRING NOTES

1. USE COPPER 75 C MIN. RATED WIRE FOR FIELD CONNECTION SUPPLY.
2. USE COPPER 80 C MIN. RATED PLENUM RATED WIRE FOR LOW VOLTAGE FIELD CONNECTION.

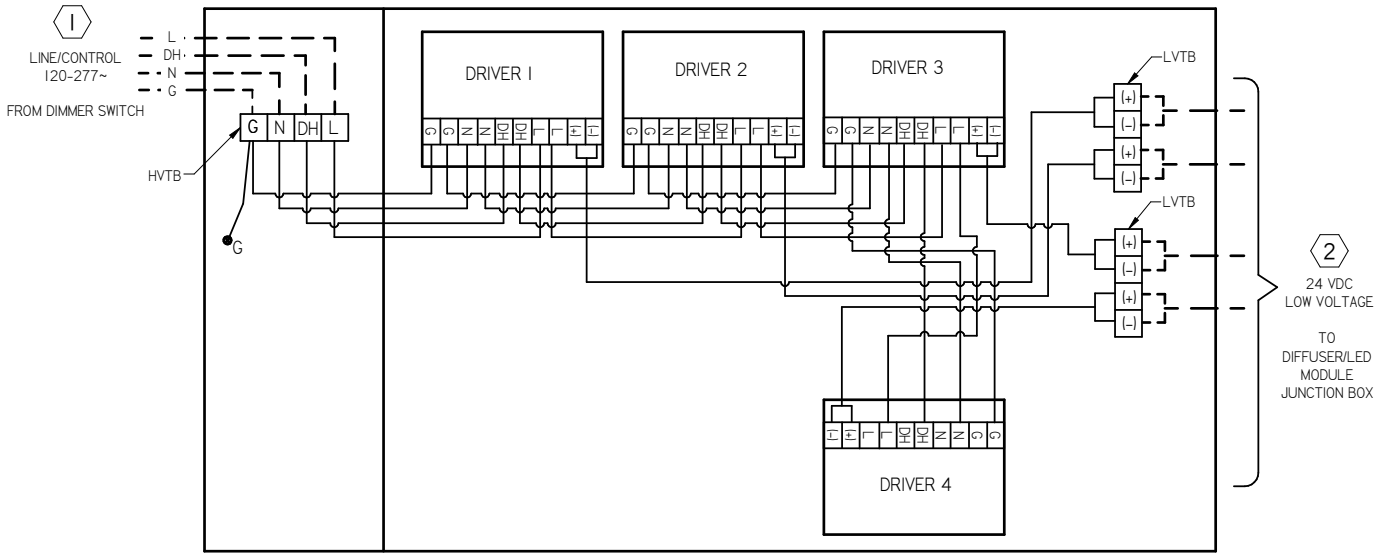
(SEE TABLE BELOW FOR RECOMMENDED WIRE GAGE AND LENGTHS)

WIRE GAGE	LENGTH (FT)
18 AWG	15 FT
16 AWG	25 FT
14 AWG	45 FT
12 AWG	70 FT
10 AWG	115 FT
8 AWG	180 FT

LINE LEGEND

- FACTORY ELECTRICAL WIRING
- - - FIELD ELECTRICAL WIRING

Wiring Diagram for SRDC-B-04



LEGEND

G - GROUND
 N - NEUTRAL
 DH - DIMMED HOT
 L - SWITCHED HOT
 (+) - LED +
 (-) - LED -
 HVTB - HIGH VOLT TERMINAL BLOCK
 LVTB - LOW VOLT TERMINAL BLOCK

WIRING NOTES

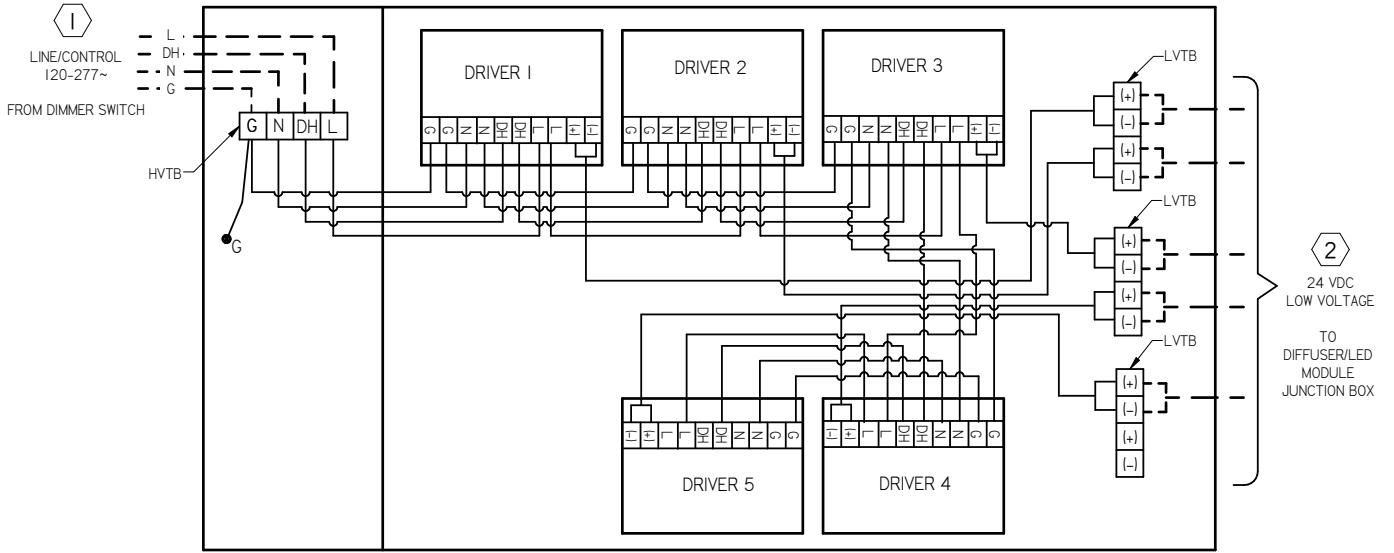
1. USE COPPER 75 C MIN. RATED WIRE FOR FIELD CONNECTION SUPPLY.
 2. USE COPPER 80 C MIN. RATED PLENUM RATED WIRE FOR LOW VOLTAGE FIELD CONNECTION.
- (SEE TABLE BELOW FOR RECOMMENDED WIRE GAGE AND LENGTHS)

WIRE GAGE	LENGTH (FT)
18 AWG	15 FT
16 AWG	25 FT
14 AWG	45 FT
12 AWG	70 FT
10 AWG	115 FT
8 AWG	180 FT

LINE LEGEND

— FACTORY ELECTRICAL WIRING
 - - - FIELD ELECTRICAL WIRING

Wiring Diagram for SRDC-B-05



LEGEND

- G - GROUND
- N - NEUTRAL
- DH - DIMMED HOT
- L - SWITCHED HOT
- (+) - LED +
- (-) - LED -
- HVTB - HIGH VOLT TERMINAL BLOCK
- LVTB - LOW VOLT TERMINAL BLOCK

WIRING NOTES

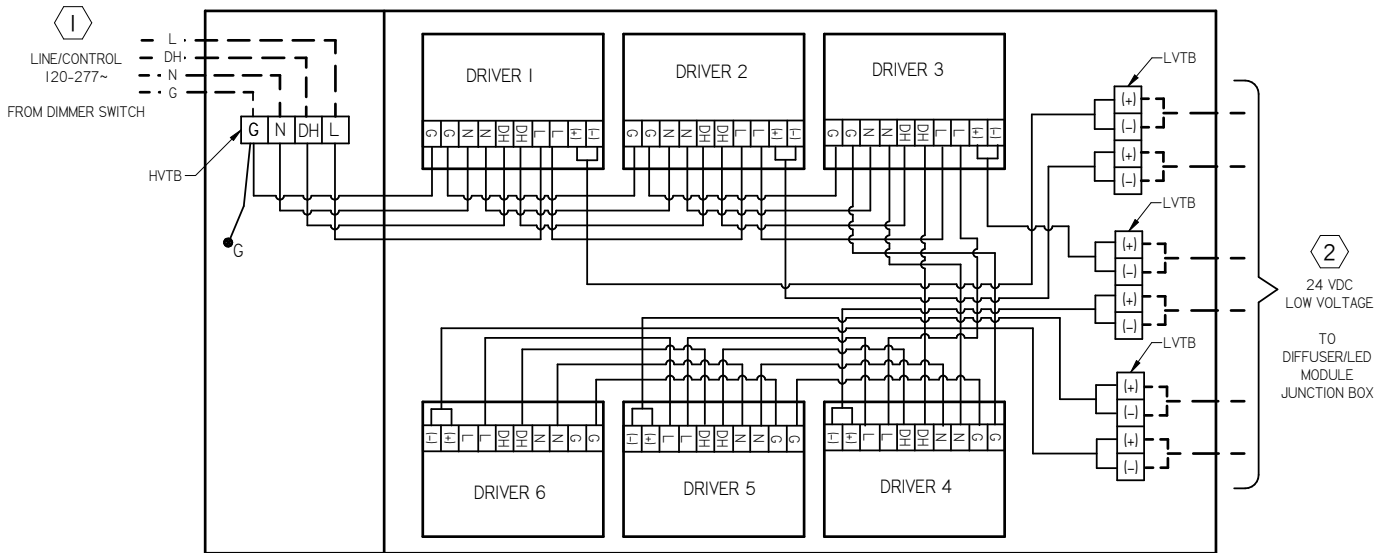
1. USE COPPER 75 C MIN. RATED WIRE FOR FIELD CONNECTION SUPPLY.
 2. USE COPPER 80 C MIN. RATED PLENUM RATED WIRE FOR LOW VOLTAGE FIELD CONNECTION.
- (SEE TABLE BELOW FOR RECOMMENDED WIRE GAGE AND LENGTHS)

WIRE GAGE	LENGTH (FT)
18 AWG	15 FT
16 AWG	25 FT
14 AWG	45 FT
12 AWG	70 FT
10 AWG	115 FT
8 AWG	180 FT

LINE LEGEND

- FACTORY ELECTRICAL WIRING
- - - FIELD ELECTRICAL WIRING

Wiring Diagram for SRDC-B-06



LEGEND

- G - GROUND
- N - NEUTRAL
- DH - DIMMED HOT
- L - SWITCHED HOT
- (+) - LED +
- (-) - LED -
- HVTB - HIGH VOLT TERMINAL BLOCK
- LVTB - LOW VOLT TERMINAL BLOCK

WIRING NOTES

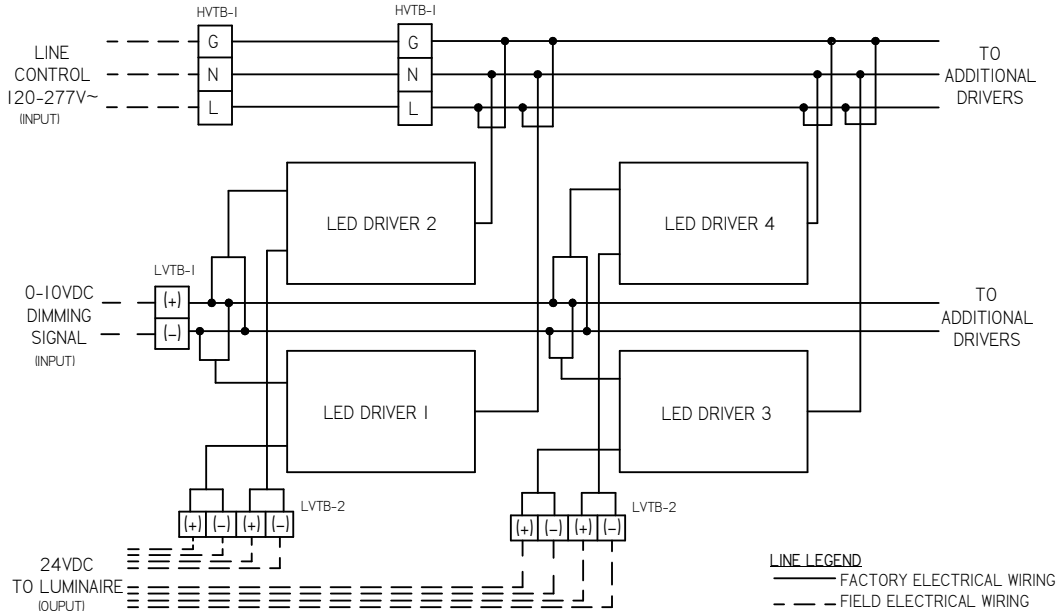
1. USE COPPER 75 C MIN. RATED WIRE FOR FIELD CONNECTION SUPPLY.
 2. USE COPPER 80 C MIN. RATED PLENUM RATED WIRE FOR LOW VOLTAGE FIELD CONNECTION.
- (SEE TABLE BELOW FOR RECOMMENDED WIRE GAGE AND LENGTHS)

WIRE GAGE	LENGTH (FT)
18 AWG	15 FT
16 AWG	25 FT
14 AWG	45 FT
12 AWG	70 FT
10 AWG	115 FT
8 AWG	180 FT

LINE LEGEND

- FACTORY ELECTRICAL WIRING
- - - - - FIELD ELECTRICAL WIRING

Wiring Diagram for SRDC-CD-YY0 (Without Relay Switch)



LEGEND

LINE CONTROL

G: GROUND
N: NEUTRAL
L: LINE

0-10 VDC

(+): 0-10V +
(-): 0-10V -

24 VDC

(+): LED +
(-): LED -

HVTB-1: HIGH VOLT TERMINAL BLOCK 1

LVTB-1: 0-10VDC CONNECTION TERMINAL BLOCK

LVTB-2: 24VDC CONNECTION TERMINAL BLOCK

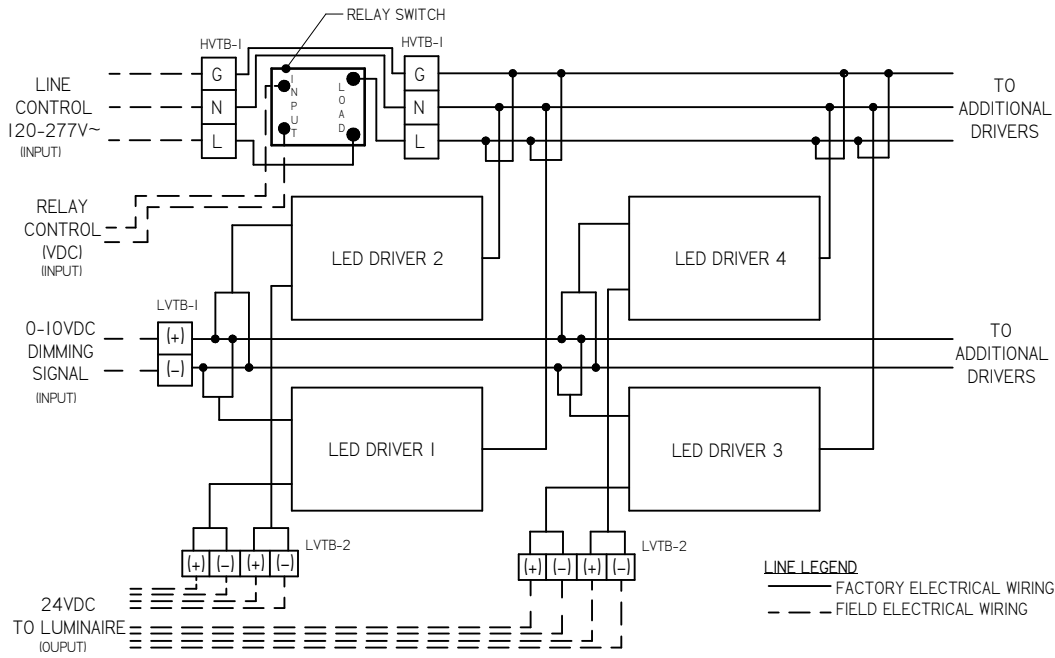
NOTES:

- 1) WHEN LIMITED ENERGY CABLE IS USED FOR THE DC OUTPUTS AND DIMMING INPUTS, IT SHALL BE RELIABLY ROUTED AWAY FROM ANY NON-CLASS 2 FACTORY INSTALLED WIRING BY AT LEAST 1/4" BY THE USE OF TIE-WRAPS, CABLES OR SIMILAR MEANS.
- 2) 0-10VDC WIRE LENGTH SHOULD NOT EXCEED 500FT (IF THE SUPPLIED DIMMER IS BEING USED FOR DIMMING).
- 3) USE MINIMUM 20AWG WIRE FOR 0-10VDC CONTROL SIGNAL.
- 4) USE COPPER 75 C MIN. RATED WIRE FOR FIELD CONNECTION SUPPLY.
- 5) USE COPPER 80 C MIN. RATED WIRE FOR LOW VOLTAGE FIELD LUMINAIRE CONNECTIONS.
(SEE TABLE BELOW FOR RECOMMENDED WIRE GAGE AND LENGTHS)

WIRE GAGE	LENGTH
18 AWG	15 FT
16 AWG	25 FT
14 AWG	45 FT
12 AWG	70 FT
10 AWG	115 FT
8 AWG	180 FT

INSTALLATION WORK AND ELECTRICAL WIRING MUST BE DONE BY QUALIFIED PERSON(S) IN ACCORDANCE WITH ALL APPLICABLE CODES AND STANDARDS

Wiring Diagram for SRDC-CD-YY0 (With Relay Switch)



LEGEND

LINE CONTROL

G: GROUND
N: NEUTRAL
L: LINE

0-10 VDC

(+) 0-10V +
(-) 0-10V -

24 VDC

(+) LED +
(-) LED -

HVTB-1: HIGH VOLT TERMINAL BLOCK I
LVTB-1: 0-10VDC CONNECTION TERMINAL BLOCK
LVTB-2: 24VDC CONNECTION TERMINAL BLOCK

NOTES:

- 1) WHEN LIMITED ENERGY CABLE IS USED FOR THE DC OUTPUTS AND DIMMING INPUTS, IT SHALL BE RELIABLY ROUTED AWAY FROM ANY NON-CLASS 2 FACTORY INSTALLED WIRING BY AT LEAST 1/4" BY THE USE OF TIE-WRAPPS, CABLES OR SIMILAR MEANS.
- 2) 0-10VDC WIRE LENGTH SHOULD NOT EXCEED 500FT IF THE SUPPLIED DIMMER IS BEING USED FOR DIMMING.
- 3) USE MINIMUM 20AWG WIRE FOR 0-10VDC CONTROL SIGNAL.
- 4) USE COPPER 75 C MIN. RATED WIRE FOR FIELD CONNECTION SUPPLY.
- 5) USE COPPER 80 C MIN. RATED WIRE FOR LOW VOLTAGE FIELD LUMINAIRE CONNECTIONS.

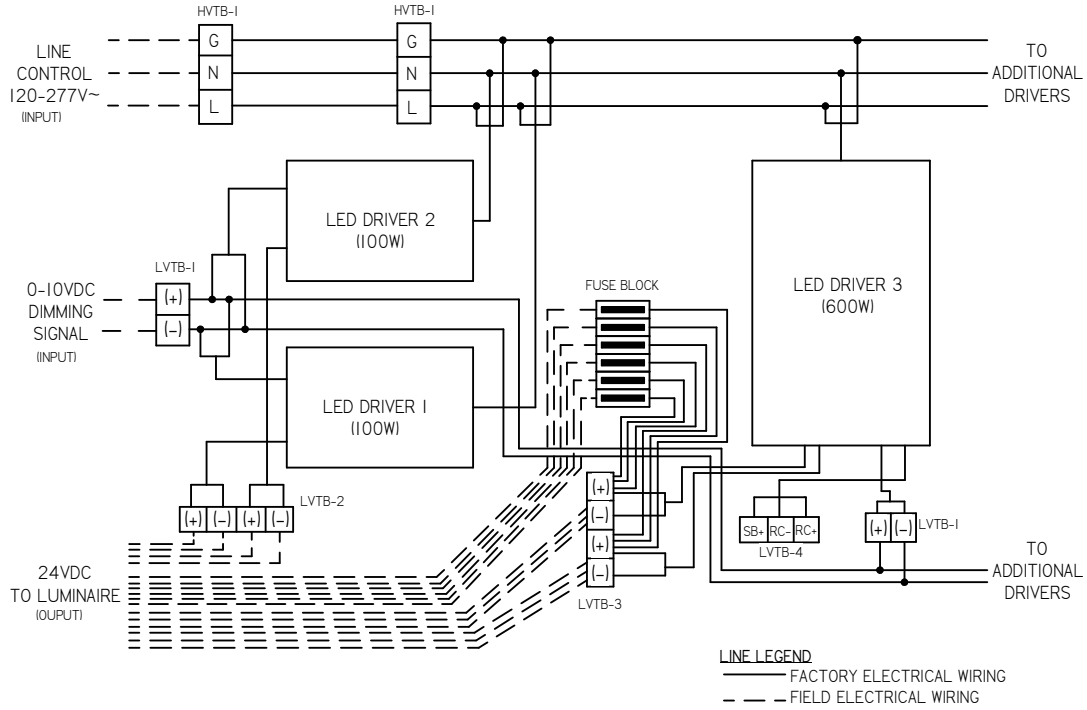
(SEE TABLE BELOW FOR RECOMMENDED WIRE GAGE AND LENGTHS)

WIRE GAGE	LENGTH
18 AWG	15 FT
16 AWG	25 FT
14 AWG	45 FT
12 AWG	70 FT
10 AWG	115 FT
8 AWG	180 FT

LINE LEGEND
 ——— FACTORY ELECTRICAL WIRING
 - - - FIELD ELECTRICAL WIRING

INSTALLATION WORK AND ELECTRICAL WIRING MUST BE DONE BY QUALIFIED PERSON(S) IN ACCORDANCE WITH ALL APPLICABLE CODES AND STANDARDS

Wiring Diagram for SRDC-CD-0XY (Without Relay Switch)



LEGEND

LINE CONTROL

G: GROUND
N: NEUTRAL
L: LINE

0-10 VDC

(+): 0-10V +
(-): 0-10V -

24 VDC

(+): LED +
(-): LED -

REMOTE CONTROL

RC+: REMOTE +
RC-: REMOTE -
SB+: STAND BY +

NOTES:

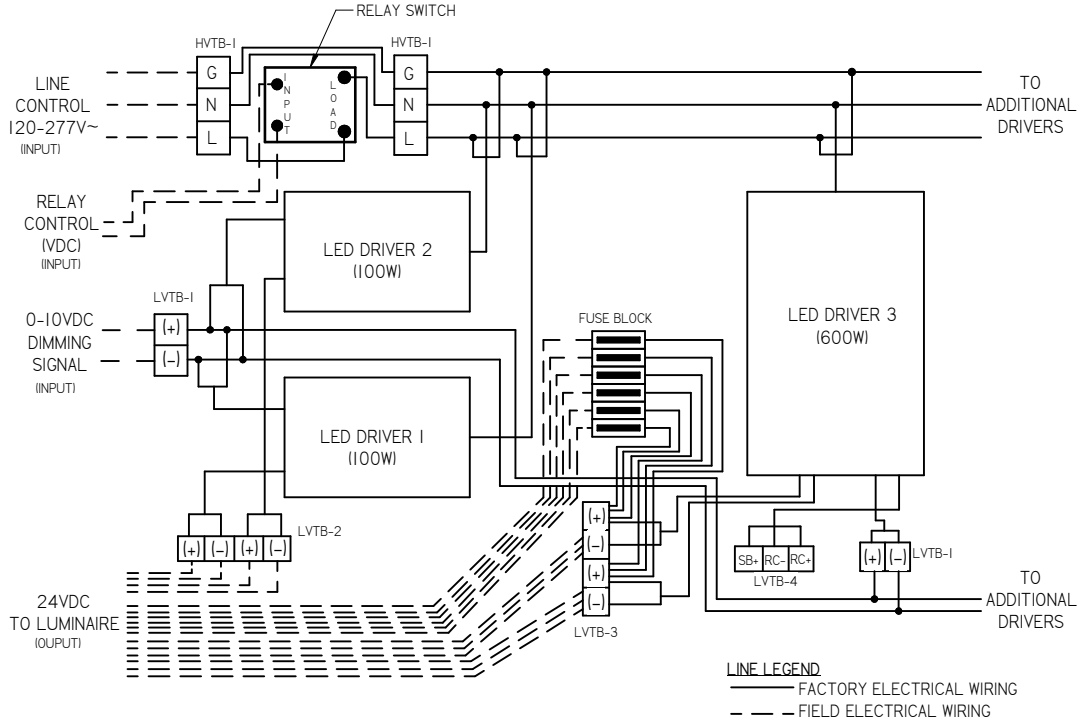
- 1) WHEN LIMITED ENERGY CABLE IS USED FOR THE DC OUTPUTS AND DIMMING INPUTS, IT SHALL BE RELIABLY ROUTED AWAY FROM ANY NON-CLASS 2 FACTORY INSTALLED WIRING BY AT LEAST 1/4" BY THE USE OF TIE-WRAPS, CABLES OR SIMILAR MEANS.
- 2) 0-10VDC WIRE LENGTH SHOULD NOT EXCEED 500FT (IF THE SUPPLIED DIMMER IS BEING USED FOR DIMMING).
- 3) USE MINIMUM 20AWG WIRE FOR 0-10VDC CONTROL SIGNAL.
- 4) USE COPPER 75 C MIN. RATED WIRE FOR FIELD CONNECTION SUPPLY.
- 5) USE COPPER 80 C MIN. RATED WIRE FOR LOW VOLTAGE FIELD LUMINAIRE CONNECTIONS.
(SEE TABLE BELOW FOR RECOMMENDED WIRE GAGE AND LENGTHS)

WIRE GAGE	LENGTH
18 AWG	15 FT
16 AWG	25 FT
14 AWG	45 FT
12 AWG	70 FT
10 AWG	115 FT
8 AWG	180 FT

HVTB-1: HIGH VOLT TERMINAL BLOCK 1
LVTB-1: 0-10VDC CONNECTION TERMINAL BLOCK
LVTB-2: 24VDC CONNECTION TERMINAL BLOCK
LVTB-3: 24VDC SPLITTING TERMINAL BLOCK
LVTB-4: REMOTE CONNECTION TERMINAL BLOCK

INSTALLATION WORK AND ELECTRICAL WIRING MUST BE DONE BY QUALIFIED PERSON(S) IN ACCORDANCE WITH ALL APPLICABLE CODES AND STANDARDS

Wiring Diagram for SRDC-CD-0XY (With Relay Switch)



LEGEND

LINE CONTROL

- G: GROUND
- N: NEUTRAL
- L: LINE

0-10 VDC

- (+): 0-10V +
- (-): 0-10V -

24 VDC

- (+): LED +
- (-): LED -

REMOTE CONTROL

- RC+: REMOTE +
- RC-: REMOTE -
- SB+: STAND BY +

- HVTB-1: HIGH VOLT TERMINAL BLOCK I
- LVTB-1: 0-10VDC CONNECTION TERMINAL BLOCK
- LVTB-2: 24VDC CONNECTION TERMINAL BLOCK
- LVTB-3: 24VDC SPLITTING TERMINAL BLOCK
- LVTB-4: REMOTE CONNECTION TERMINAL BLOCK

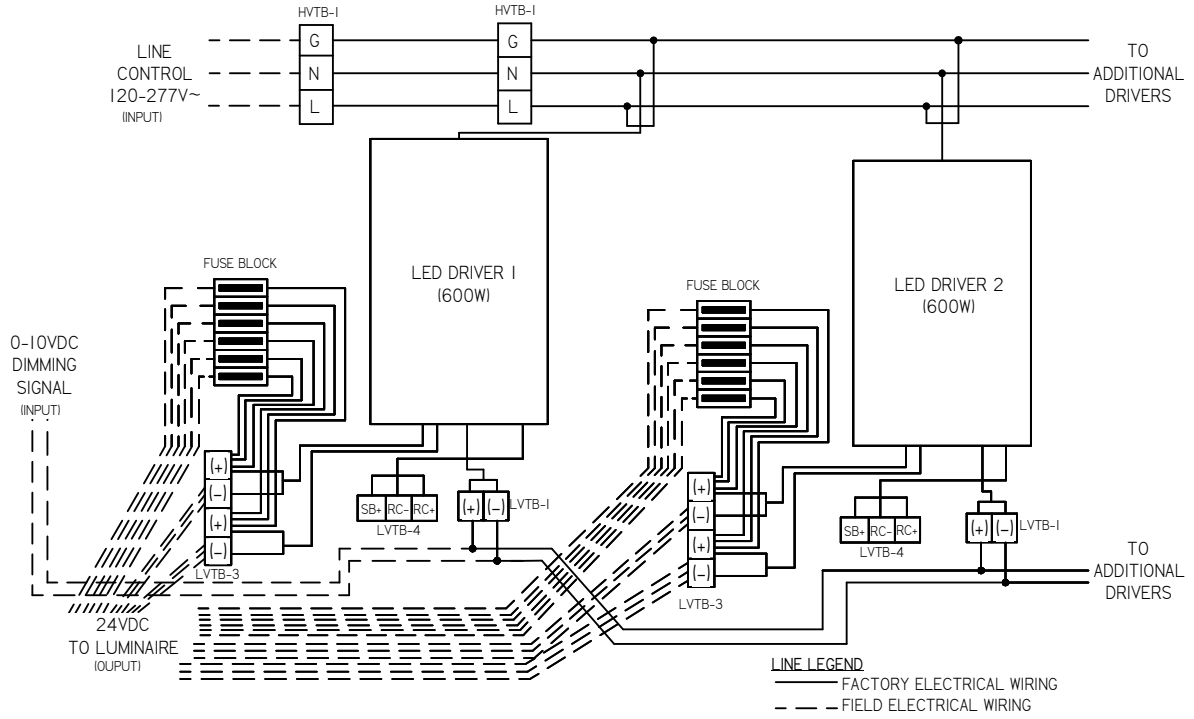
NOTES:

- 1) WHEN LIMITED ENERGY CABLE IS USED FOR THE DC OUTPUTS AND DIMMING INPUTS, IT SHALL BE RELIABLY ROUTED AWAY FROM ANY NON-CLASS 2 FACTORY INSTALLED WIRING BY AT LEAST 1/4" BY THE USE OF TIE-WRAPS, CABLES OR SIMILAR MEANS.
- 2) 0-10VDC WIRE LENGTH SHOULD NOT EXCEED 500FT IIF THE SUPPLIED DIMMER IS BEING USED FOR DIMMING.
- 3) USE MINIMUM 20AWG WIRE FOR 0-10VDC CONTROL SIGNAL.
- 4) USE COPPER 75 C MIN. RATED WIRE FOR FIELD CONNECTION SUPPLY.
- 5) USE COPPER 80 C MIN. RATED WIRE FOR LOW VOLTAGE FIELD LUMINAIRE CONNECTIONS. (SEE TABLE BELOW FOR RECOMMENDED WIRE GAGE AND LENGTHS)

WIRE GAGE	LENGTH
18 AWG	15 FT
16 AWG	25 FT
14 AWG	45 FT
12 AWG	70 FT
10 AWG	115 FT
8 AWG	180 FT

INSTALLATION WORK AND ELECTRICAL WIRING MUST BE DONE BY QUALIFIED PERSON(S) IN ACCORDANCE WITH ALL APPLICABLE CODES AND STANDARDS

Wiring Diagram for SRDC-CD-00Y (D Driver Only)



LEGEND

LINE CONTROL

- G: GROUND
- N: NEUTRAL
- L: LINE

0-10 VDC

- (+): 0-10V +
- (-): 0-10V -

24 VDC

- (+): LED +
- (-): LED -

REMOTE CONTROL

- RC+: REMOTE +
- RC-: REMOTE -
- SB+: STAND BY +

NOTES:

- 1) WHEN LIMITED ENERGY CABLE IS USED FOR THE DC OUTPUTS AND DIMMING INPUTS, IT SHALL BE RELIABLY ROUTED AWAY FROM ANY NON-CLASS 2 FACTORY INSTALLED WIRING BY AT LEAST 1/4" BY THE USE OF TIE-WRAPS, CABLES OR SIMILAR MEANS.
- 2) 0-10VDC WIRE LENGTH SHOULD NOT EXCEED 500FT IF THE SUPPLIED DIMMER IS BEING USED FOR DIMMING.
- 3) USE MINIMUM 20AWG WIRE FOR 0-10VDC CONTROL SIGNAL.
- 4) USE COPPER 75 C MIN. RATED WIRE FOR FIELD CONNECTION SUPPLY.
- 5) USE COPPER 80 C MIN. RATED WIRE FOR LOW VOLTAGE FIELD LUMINAIRE CONNECTIONS.
(SEE TABLE BELOW FOR RECOMMENDED WIRE GAGE AND LENGTHS)

WIRE GAGE	LENGTH
18 AWG	15 FT
16 AWG	25 FT
14 AWG	45 FT
12 AWG	70 FT
10 AWG	115 FT
8 AWG	180 FT

- HVTB-1: HIGH VOLT TERMINAL BLOCK 1
- LVTB-1: 0-10VDC CONNECTION TERMINAL BLOCK
- LVTB-2: 24VDC CONNECTION TERMINAL BLOCK
- LVTB-3: 24VDC SPLITTING TERMINAL BLOCK
- LVTB-4: REMOTE CONNECTION TERMINAL BLOCK

INSTALLATION WORK AND ELECTRICAL WIRING MUST BE DONE BY QUALIFIED PERSON(S) IN ACCORDANCE WITH ALL APPLICABLE CODES AND STANDARDS

Product Improvement is a continuing endeavour at Keystone Clean Air Solutions. Therefore, specifications are subject to change without notice. Consult Keystone directly for current specifications or more detailed information. Not all products may be available in all geographic areas. All goods described in this document are warranted as described in the Limited Warranty shown at [KeystoneCleanAir.com](https://www.KeystoneCleanAir.com). The complete Keystone product offering can be viewed online at [KeystoneCleanAir.com](https://www.KeystoneCleanAir.com).

© Keystone Clean Air Solutions is a registered trademark of Keystone Clean Air Solutions.
© 2024. Printed in Canada.

SUPERSUITE
by **price**