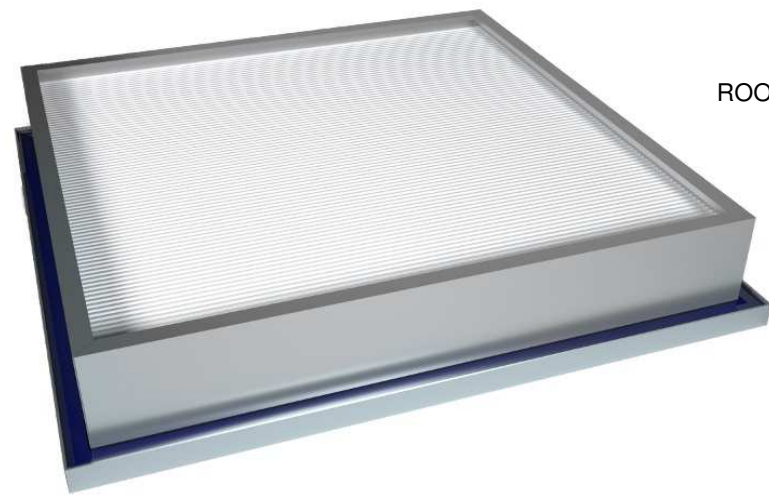


VANGUARD

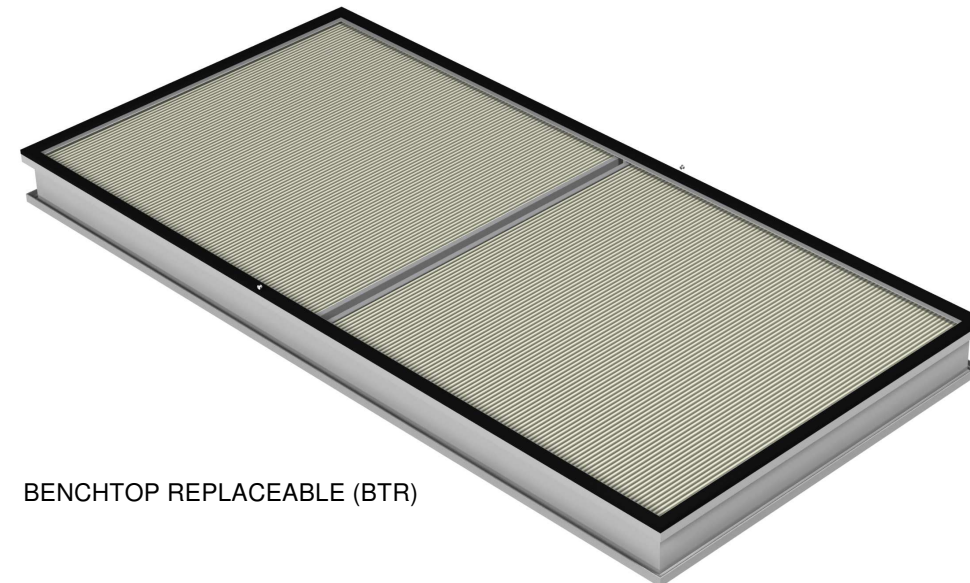
REPLACEMENT FILTERS

FEATURES:

- HIGH EFFICIENCY REPLACEMENT FILTERS ARE SUITABLE FOR USE IN ALL CRITICAL ENVIRONMENTS FILTERED PRODUCTS
- AVAILABLE IN HEPA OR ULPA EFFICIENCIES
- FILTERS ARE USED WHERE ROOM CLEANLINESS AND CONTAMINENT CONTROL ARE OF THE UTMOST IMPORTANCE INCLUDING CLEANROOMS, LABORATORIES AND PROTECTIVE ENVIRONMENT ISOLATION ROOMS.



ROOM-SIDE REPLACEABLE (RSR)



BENCHTOP REPLACEABLE (BTR)



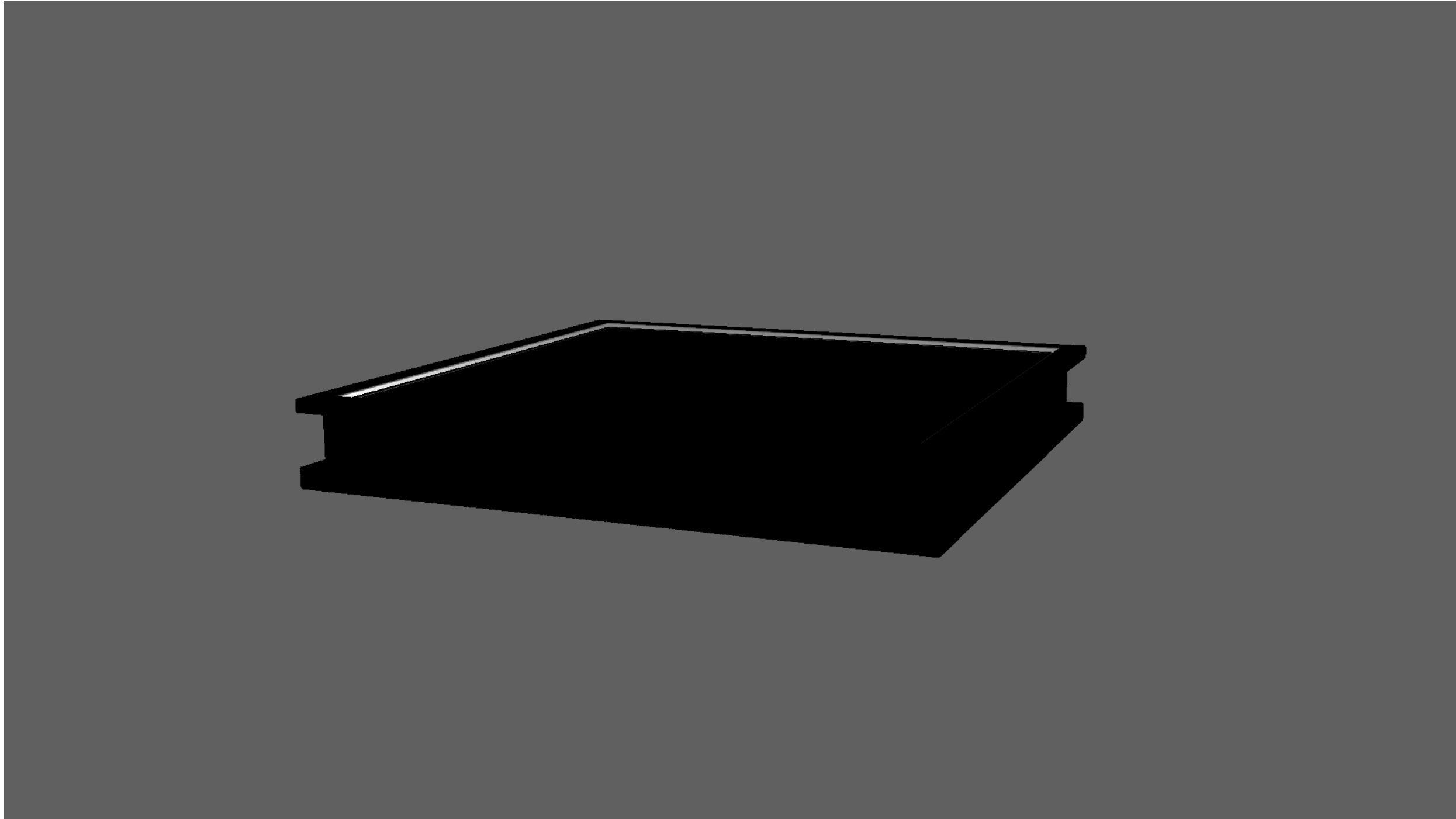
PROJECT:

274238

Revision: A

10-20-2023

VANGUARD 
REPLACEMENT FILTERS
3D INTERACTIVE MODEL



PRODUCT CONFIGURATIONS
(CLICK BUTTONS TO TOGGLE VIEWS)

- USE THE SCROLL WHEEL TO ZOOM
- HOLD DOWN THE LEFT MOUSE TO ROTATE
- HOLD DOWN CTRL AND LEFT MOUSE TO MOVE



PROJECT:

274238

Revision: A

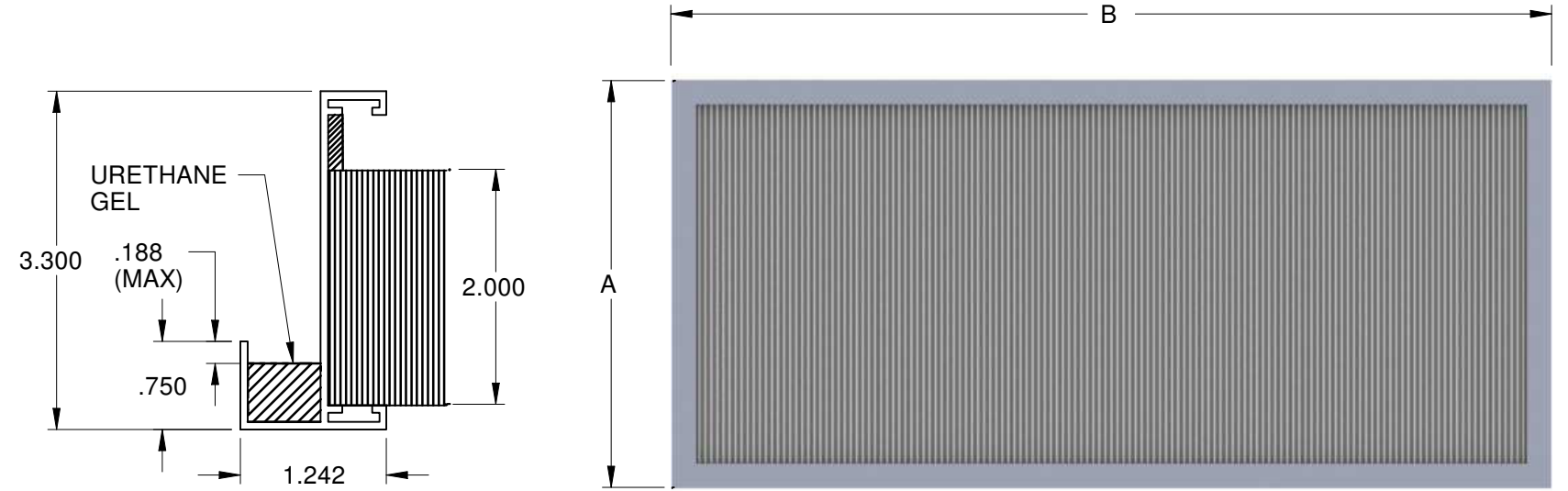
10-20-2023

VANGUARD

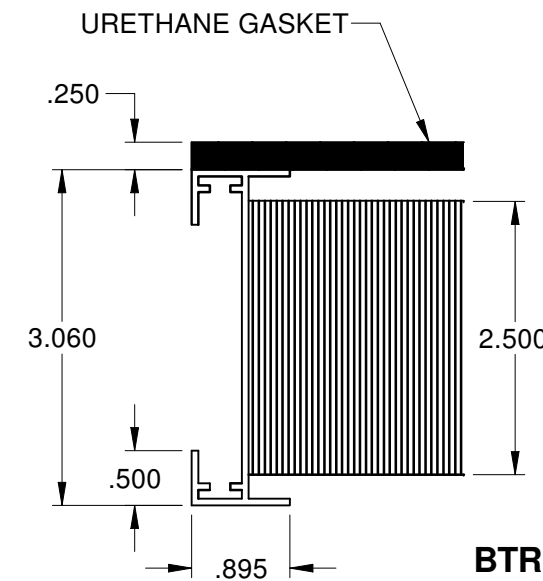
REPLACEMENT FILTERS KROWN FAN FILTER SERIES, ASPIRE LAMINAR FLOW SERIES, ARC RADIAL FLOW SERIES CONSTRUCTION DETAILS

ROOM-SIDE REPLACEABLE (RSR)				
MODULE SIZE	ACTUAL UNIT SIZE	FILTER TYPE	ACTUAL FILTER SIZE (A x B)	FILTER PART NUMBER
24 x 24	23.625" x 23.625"	HEPA	20.69" x 20.69"	042299-020
24 x 36	23.625" x 35.625"		20.69" x 32.69"	042299-021
24 x 48	23.625" x 47.625"		20.69" x 44.69"	042299-022
12 x 48	11.625" x 47.625"		8.69" x 44.69"	042299-028
600 x 600 mm	23.247" x 23.247"		20.31" x 20.31"	042299-026
600 x 1200 mm	23.247" x 46.869"		20.31" x 43.93"	042299-024
24 x 24	23.625" x 23.625"	ULPA	20.69" x 20.69"	042299-017
24 x 36	23.625" x 35.625"		20.69" x 32.69"	042299-018
24 x 48	23.625" x 47.625"		20.69" x 44.69"	042299-019
12 x 48	11.625" x 47.625"		8.69" x 44.69"	042299-027
600 x 600 mm	23.247" x 23.247"		20.31" x 20.31"	042299-025
600 x 1200 mm	23.247" x 46.869"		20.31" x 43.93"	042299-023

BENCH TOP REPLACEABLE (BTR)				
MODULE SIZE	ACTUAL UNIT SIZE	FILTER TYPE	ACTUAL FILTER SIZE (A x B)	FILTER PART NUMBER
24 x 24	23.625" x 23.625"	HEPA	23.63" x 23.63"	042299-011
24 x 36	23.625" x 35.625"		23.63" x 35.63"	042299-012
24 x 48	23.625" x 47.625"		23.63" x 47.63"	042299-013
24 x 24	23.625" x 23.625"	ULPA	23.63" x 23.63"	042299-014
24 x 36	23.625" x 35.625"		23.63" x 35.63"	042299-015
24 x 48	23.625" x 47.625"		23.63" x 47.63"	042299-016



RSR



BTR

CONSTRUCTION:

- FILTER PLEATS RUN PARALLEL TO THE WIDTH (A) DIMENSION
- DIMENSIONS A & B TOLERANCES +/- 1/16"
- RSR FILTERS COME WITH GEL SEAL FILLED CHANNEL
- BTR FILTERS COME WITH GASKETED UPSTREAM FLANGE AND CENTER MULLION WITH STATIC PRESSURE PORTS
- PROTECTIVE SCREEN PAINTED WHITE ON THE DOWNSTREAM SIDE

FRAME DETAILS:

- MATERIAL: ANODIZED EXTRUDED ALUMINUM
- THICKNESS 1/16" (MINIMUM)

LISTING:

- UL900 STANDARD FOR SAFETY AIR FILTER UNITS

TESTING:

- TYPE J - HEPA FILTERS EFFICIENCY AND LEAK TESTED IN ACCORDANCE WITH LATEST IEST-RP-CC001
- TYPE F - ULPA FILTERS EFFICIENCY AND LEAK TESTED IN ACCORDANCE WITH LATEST IES-RP-CC001

NOTES:

- FILTER PACKAGED SEPERATELY FROM DIFFUSER FOR JOB SITE INSTALLATION BY OTHERS



PROJECT:

274238

Revision: A

10-20-2023

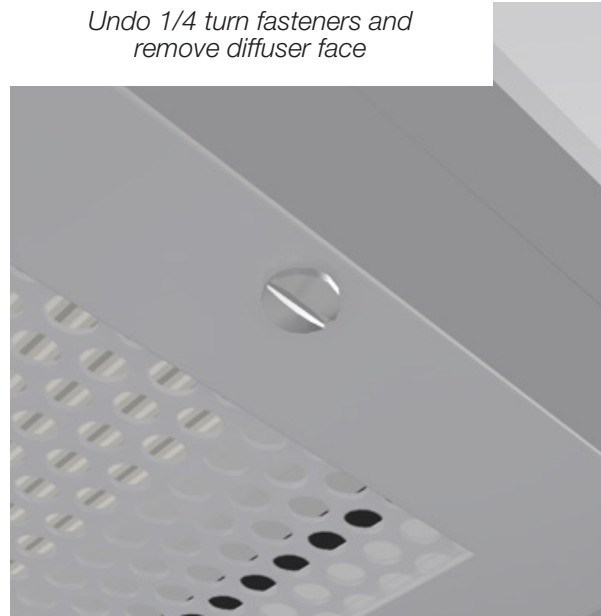
VANGUARD

REPLACEMENT FILTERS INSTALLATION INSTRUCTIONS

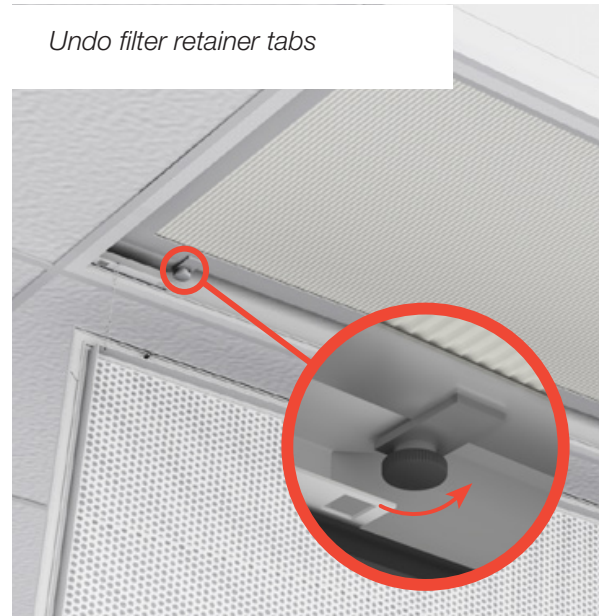
ROOM-SIDE REPLACEABLE FILTERS:

- GEL-TRACK FROM FILTER WORKS WITH DIFFUSER KNIFE-EDGE TO PROVIDE A LEAK-PROOF SEAL BETWEEN THE FILTER AND HOUSING WHILE ALLOWING FOR TOOL FREE INSTALLATION AND REPLACEMENT FROM THE ROOM-SIDE
- VISIT KEYSTONE CLEAN AIR SOLUTIONS WEBSITE FOR FILTER INSTALLATION GUIDE

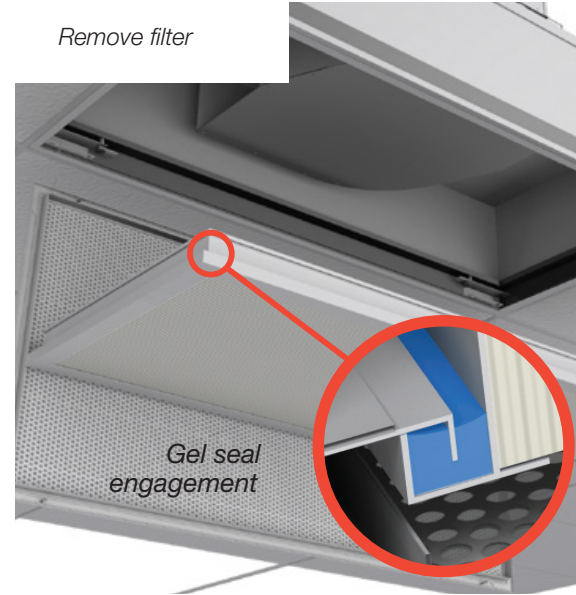
Undo 1/4 turn fasteners and
remove diffuser face



Undo filter retainer tabs



Remove filter



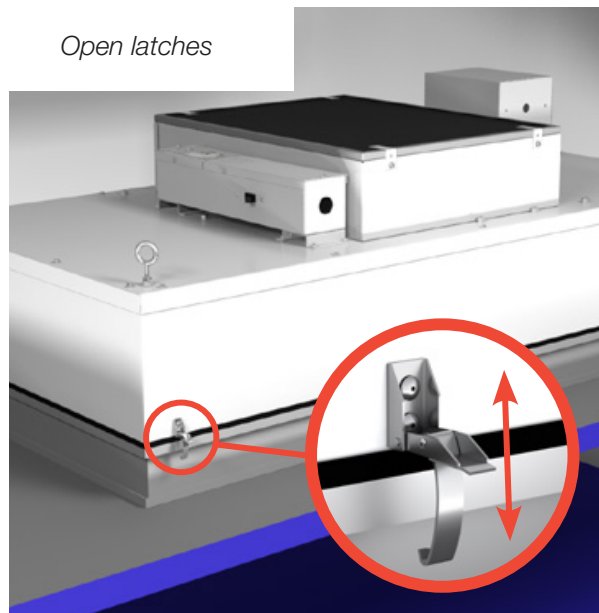
BENCHTOP REPLACEABLE FILTERS:

- FILTER REPLACEMENT REQUIRES REMOVAL OF THE UNIT FROM THE CEILING GRID
- ONLY AVAILABLE ON SUPPLY STYLE FAN FILTER UNITS (FFU)
- VISIT KEYSTONE CLEAN AIR SOLUTIONS WEBSITE FOR FILTER INSTALLATION GUIDE

Remove from ceiling



Open latches



Remove filter



PROJECT:

274238

Revision: A

10-20-2023