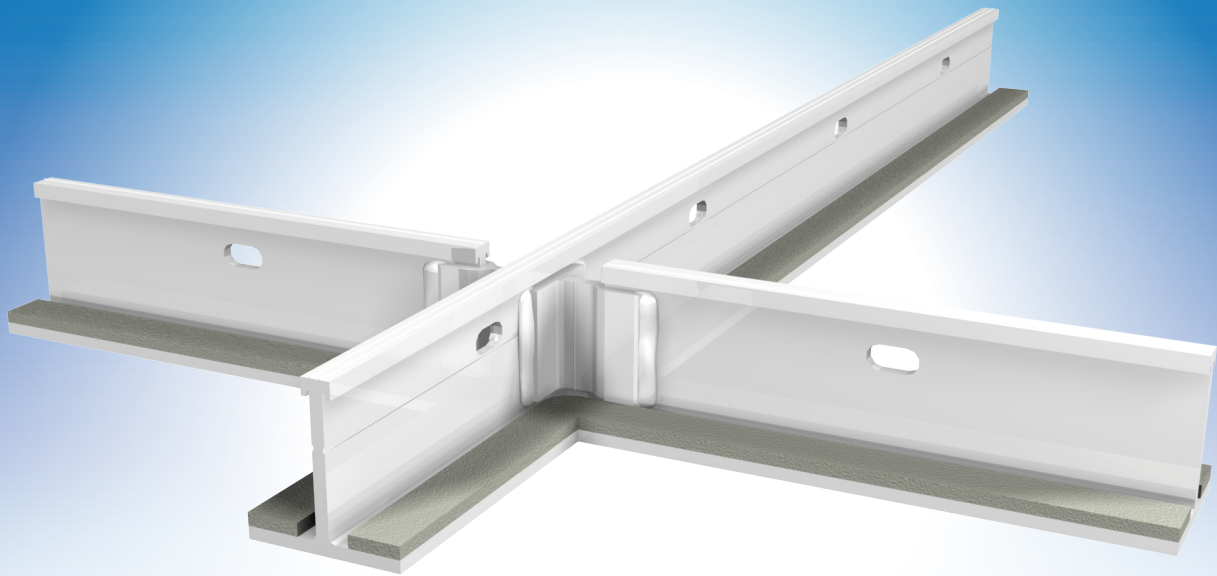




Apex

Cleanroom Ceiling System



CATALOG

v001 – Issue Date: 03/20/26

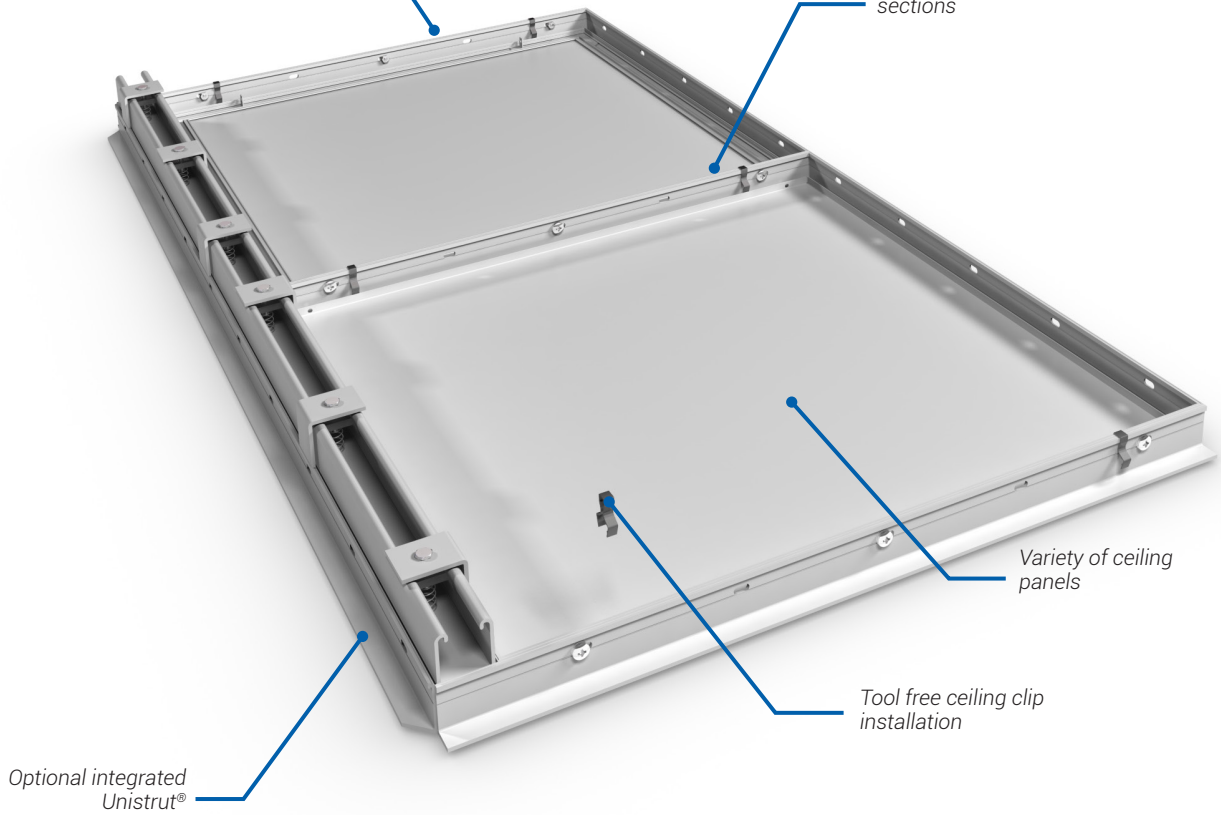
© 2026 Keystone® Clean Air Solutions. All rights reserved.

Apex Cleanroom Ceiling System

The Apex Cleanroom Ceiling System is a heavy duty, extruded aluminum ceiling suspension system designed to support diffusers, in-fill panels and light fixtures in a variety of critical environments. The Apex Cleanroom Ceiling System is designed for light to intermediate duty cleanroom applications. With fully customizable, factory pre-welded sections and a continuous gasket to prevent contaminant migration between the ceiling plenum and occupied space, the Apex Cleanroom Ceiling System can be used to meet your ISO cleanroom needs.

Patented ceiling access clip allows any ceiling panel to function as an access door

Ships in large factory welded sections



Quick Installation and Accessibility During Construction

- The Apex Cleanroom Ceiling System ships in large, factory welded sections making onsite installation quick and easy. A 12 ft. x 14 ft. ceiling section requires only six (6) sections for assembly.
- Unlike sheetrock ceiling options, the Apex Cleanroom Ceiling System allows access to all mechanical devices above the ceiling after the grid has been installed. This allows multiple trades to work in the same space at the same time, helping to compress the construction schedule.

Patented Ceiling Access Clips

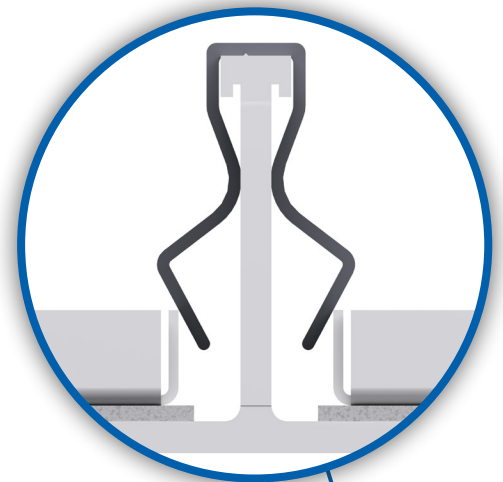
- Tool-free installation
- Allows every ceiling panel to function as an access panel
- Eliminates the need for unsightly sheetrock access doors

ASTM Heavy Duty Construction Rating

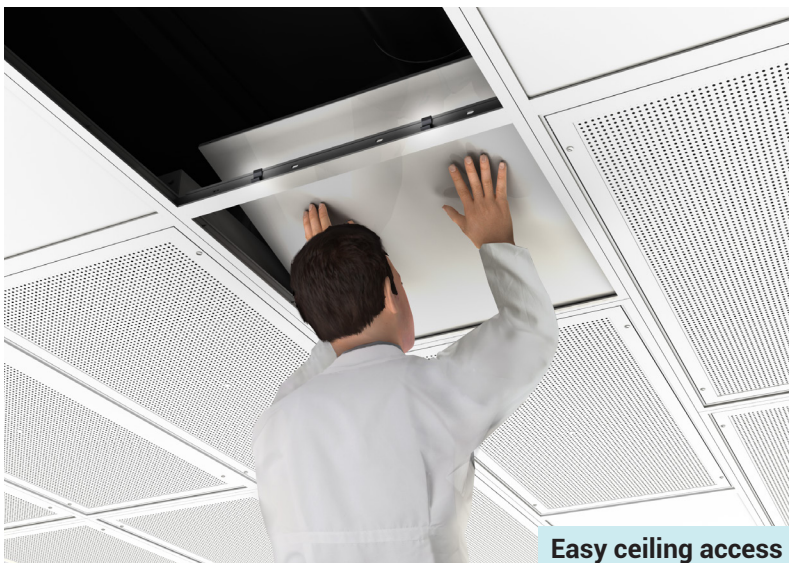
- Heavy duty aluminum extruded tees are factory welded
- ASTM Heavy Duty rated ceiling system consisting of 1/8" thick tees and 1-1/2" wide face

TYPICAL APPLICATIONS

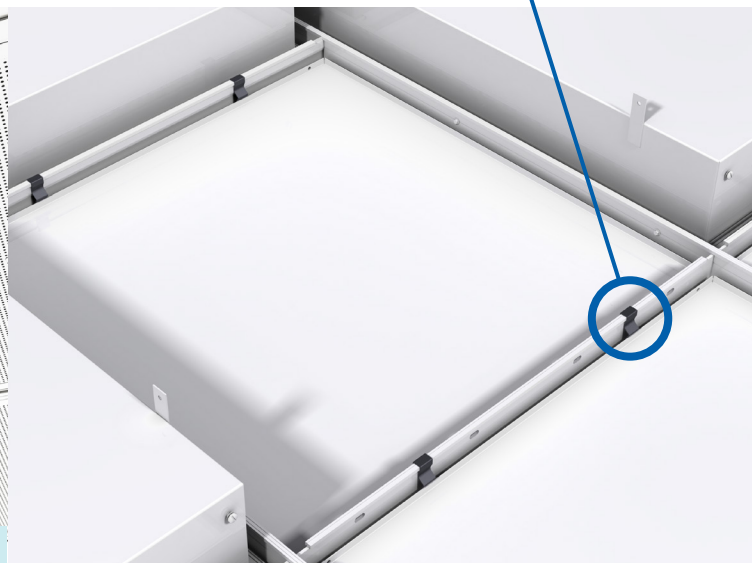
The Apex Cleanroom Ceiling System is designed for use in any area demanding strict clean air control and easy access to the ceiling plenum above, including laboratories, pharmaceutical labs, microelectronics manufacturing facilities and cleanrooms.



Patented ceiling access clip



Easy ceiling access



Future-proof through Flexible Design and Modularity

- Modular sections and common module sizes provide long-term mechanical flexibility.
- Lights, diffusers and panels of the same size are interchangeable and can be moved to help fulfil current and future design changes.

Unistrut® Integration

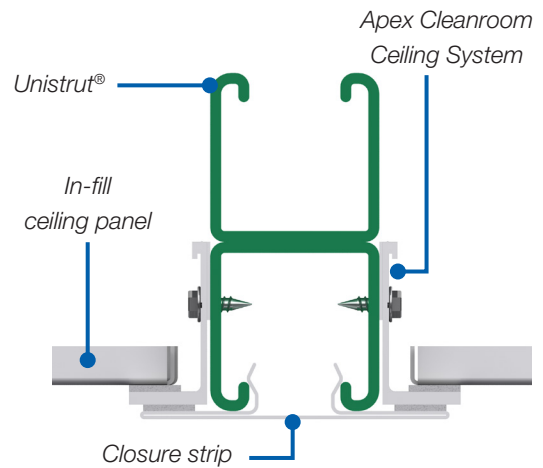
- Seamless integration with ceiling level Unistrut® channels used to support ceiling mounted equipment.
- Unistrut® and closure strips are available with matching powder coat finish for a fully integrated solution.

Variety of Ceiling Panels

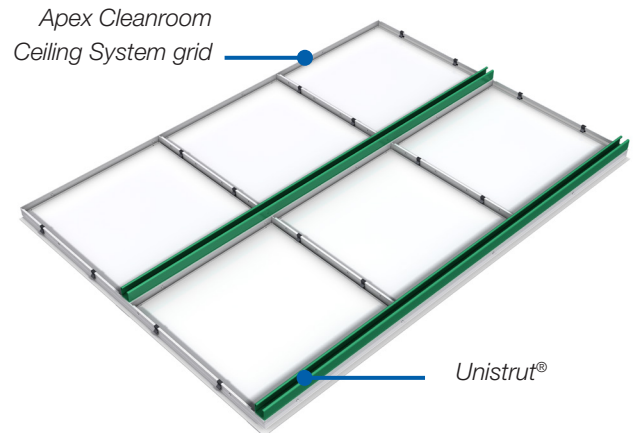
- A variety of ceiling panels are available. The standard panel is solid, heavy gauge aluminum, while other options include an extruded border panel, as well as a perforated face panel with solid backpan to mimic the appearance of laminar diffusers.

Seamless System Integration

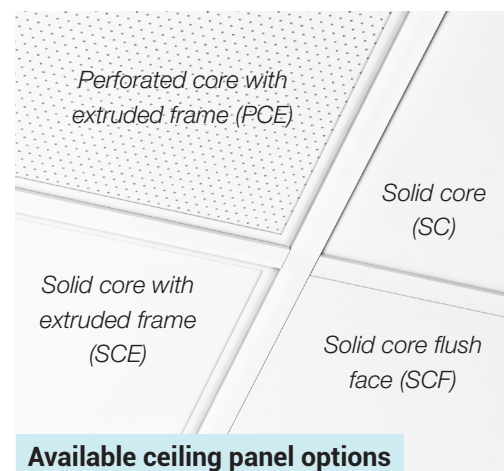
- The Apex Cleanroom Ceiling System can be combined with Aspire Laminar Flow Series, Arc Radial Flow Series, Krown Fan Filter Series, and lighting components (by others) for a complete, integrated package.
- Integrated systems have the advantage of providing single source responsibility for component performance and ensure correct interfacing of individual components.
- Standard white powder coat paint is identical across all Keystone® products, ensuring a perfect match for all integrated system components.



Unistrut® cross section



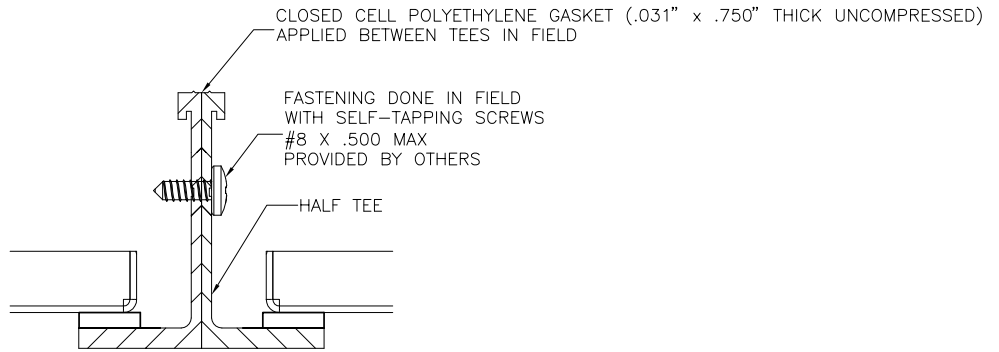
Apex Cleanroom Ceiling System with integrated Unistrut®



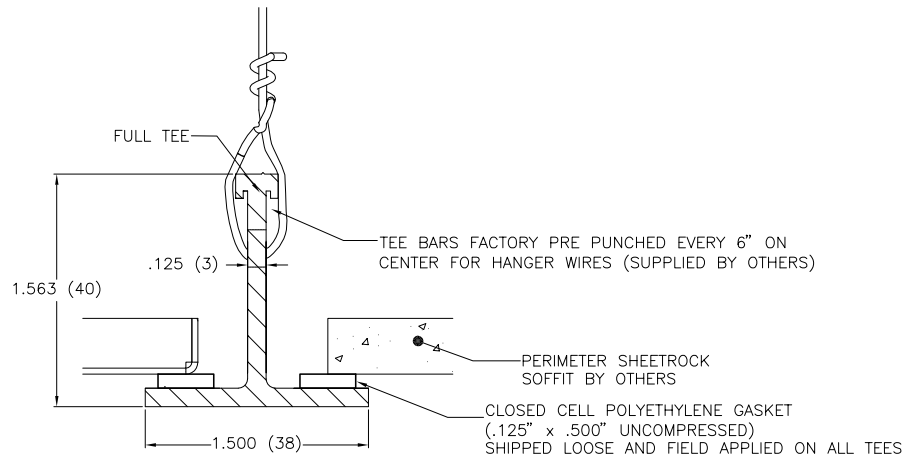
Available ceiling panel options

Dimensional Data

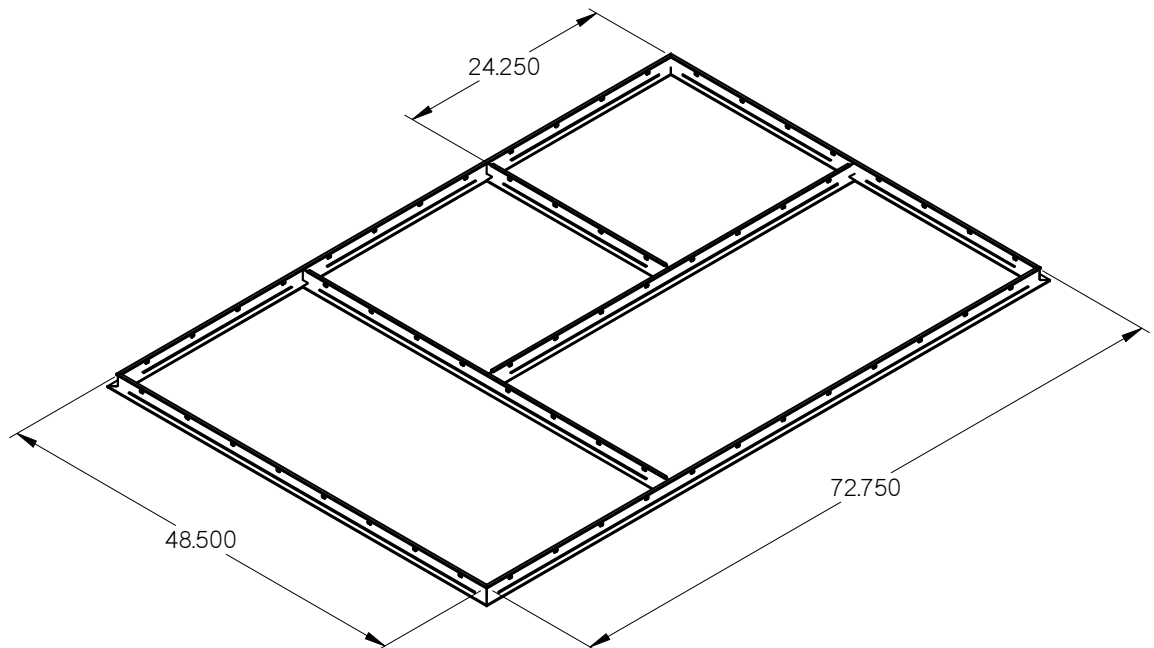
Half Tee Field Joint



Full Tee Perimeter



Example Section





Product Improvement is a continuing endeavour at Keystone Clean Air Solutions. Therefore, specifications are subject to change without notice. Consult Keystone directly for current specifications or more detailed information. Not all products may be available in all geographic areas. All goods described in this document are warranted as described in the Limited Warranty shown at **KeystoneCleanAir.com**. The complete Keystone product offering can be viewed online at **KeystoneCleanAir.com**.

® Keystone Clean Air Solutions is a registered trademark of Keystone Clean Air Solutions. © 2026. Printed in Canada.